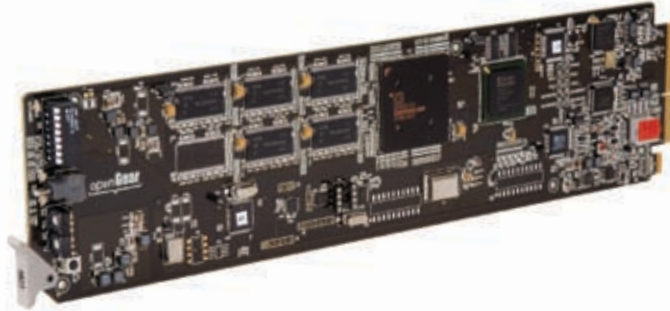




9821

HD/SD Downconverter with SD Pass Through and Analog Outputs



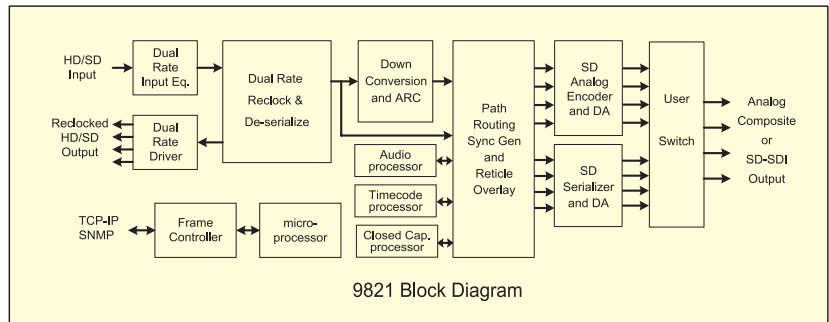
The 9821 is a versatile openGear™ card based HD/SD tool. The 9821 accepts dual rate HD/SD SMPTE-292/259M-C digital inputs and downconverts HD signals with full re-aspect controls and passes SD signals with re-aspect, if needed. Outputs are four user selectable SD-SDI or SD-analog composite outputs. The 9821 can rate convert 23.98 frame video to 59.94 fields, move progressive to interlace and has extensive user programmable reticule overlays. The data path is 10-bit with 12-bit analog encoding.

User setups are by card edge switch controls or by a TCP-IP / SNMP remote interface.

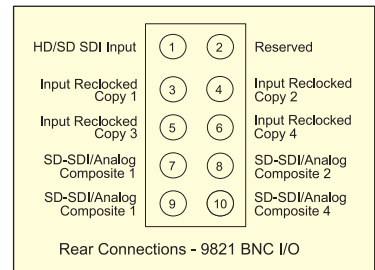
Features

- High quality 10-bit down conversion
- Four relocked HD/SD input copies
- Four user selectable SD-SDI or analog composite outputs
- Auto standard detect and configuration SMPTE 292/259M-C
- Embedded audio processing
- Timecode processing
- Closed captioning
- Full aspect ratio conversion with pan
- Four user programmable overlays with 4x3 or 16x9 safe area reticules
- 3:2 frame rate conversion 23.98 (i, p, sF) to 59.94i
- Output field alignment for downconverted 720p signals
- Analog SD output over-sampled to 216 MHz
- Full 10-bit video path and 12-bit analog encoding
- User proc. controls
- User presets controllable from card edge
- TCP-IP SNMP remote control
- Remote control/monitoring via DashBoard software or OGCP-9000 remote control panel
- Five year warranty

9821 Block Diagram



9821 Rear Module Available



Specifications

Digital Input

HD/SD SDI SMPTE-292/259M-C
 1080: 59.94/50/30/29.97/23.98 (i,p, sF)
 720: p59.94/50/29.97/25 and p23.98 (23.98- encoded in 59.94)
 525 and 625 Standard Def

Output

4 - HD/SD relocked input copies
 4 - SD-SDI - analog composite user selectable

Aspect Ratio

1/16 - 8x in all modes (independent H/V)

Pan

Full pan in all modes, including off screen (H/V)

Gain Control

User adjustable ±100 mV

Reticules

User programmable with 4x3 and 16x9 defaults, color user selectable black or white

Size

12.9" x 3" (330mm x 76mm)
 For use in openGear™ frames