

Audio Mixer

Software Option

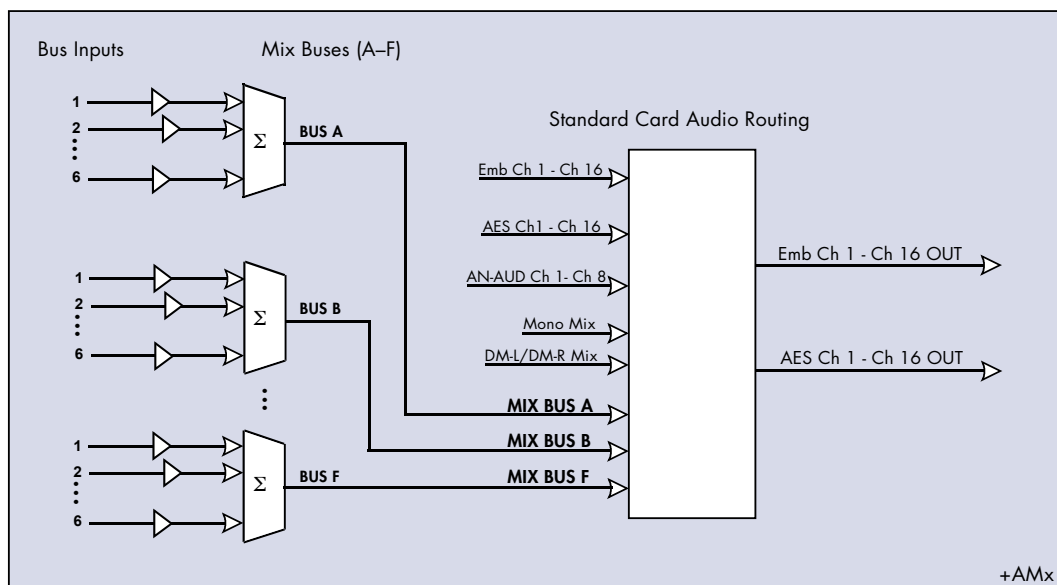
The Audio Mixing Bus software option adds a 6-to-1 x 6 mixer function. The Audio Mixing Bus allows six mono outputs to be mixed independently using six inputs each.

Each mixer input channel can be sourced from any of the audio types handled by a particular card (e.g., AES, embedded, analog, or Dolby® decoded channels where available) and mixed into six groups that in turn can be directed to any AES or embedded output channel.

The Audio Mixer software operates on select 9000 series cards, and is a standard feature on Fusion3G™ 9900 series cards. The software can be ordered with card purchase, or activated later using a downloadable feature key via free DashBoard™ remote control/monitoring software (no need to remove or replace card.)

Features

- Handles any combination of signals accommodated by the card
- Independent DashBoard™ gain, phase and muting controls for each channel
- Five year warranty



Audio Mixer Block Diagram

Ordering Information

+AMx	Optional Audio Mixer
9033	Input Processing Analog to Digital Video with Audio Embedding
9034	Input Processing Analog to Digital Video with Audio Embedding and Frame Sync
9035	Analog and SDI Input to SDI Output Converter with Audio Embedding, Frame Sync
9061	Up/Down/Cross Converter with Analog/SDI Input, Audio Embed/De-Embed, Frame Sync, Timecode and Closed Caption Support
9062	Up/Down/Cross Converter with HD/SD-SDI Input, Embedded Audio, Frame Sync, Timecode and Closed Caption Support
9066	Upconverter with Analog/SDI Input, Audio Embed/De-Embed, Frame Sync, Timecode and Closed Caption Support
9067	Upconverter with SD-SDI Input, Embedded Audio, Frame Sync, Timecode and Closed Caption Support
9822	Downconverter with HD/SD-SDI Input, Embedded Audio, Frame Sync, Timecode and Closed Caption Support
9081	HD/SD Frame Sync with Embedded Audio Processing
9083	HD/SD Frame Sync with Audio Embedding/De-Embedding
9305	Embedded Audio Delay Processor, with Optional Audio Upmixer
9321	HD/SD Embedder
9322	HD/SD De-Embedder
9323	HD/SD Embedder/De-Embedder with A/V Processing