

LightBloc FlexShade

Provides complete blackout

- Ideal for audiovisual applications.
- Choose from our room-darkening fabrics. For details, see our website at www.draperinc.com/go/LightBloc.htm.
- When SB9000/9100 is specified, our exclusive, patented FABRIC RETENTION SYSTEM prevents disengagement of fabric from the channels.
- Aluminum headbox, side and sill channels available in durable finish available in clear anodized (standard), black, white, ivory or charcoal bronze.
- Internal light seals and opacity plates eliminate all light leaks, which means no light gap at headbox/side channel connection.
- Headboxes are available to recess or surface mount (standard).
- Light proof hem bar recessed into light proof side channel.
- U.S. Patent No. 5,323,831.

Operating Systems

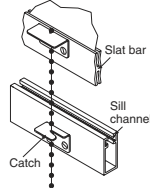
Motorized Operation—Motor is located within the right (standard) or left end of the roller for smooth, reliable operation. A wide variety of control options are available: refer to pages 5-6.

Crank Operator—The compact, bi-directional gear assembly can be mounted either on the right end (standard) or the left. Crank handle hinges to form a thin, straight rod at edge of window when not in use. The crank is permanently mounted (standard), or specify detachable and use a single crank for more than one shade.

Bead Chain Clutch—Unlike competing clutches, the DRAPER bi-directional clutch never needs adjusting and can be mounted either on the right (standard) or left. Shades stop when chain is released. Stainless steel (standard) or nylon beaded chain hangs at the side, leaving the view unobstructed. Up and down stops prevent shades from being raised or lowered too far. Our LIGHT SEAL KIT prevents light from coming through where the chain exits the headbox.

Spring Roller—Roller is under constant tension, with a latching chain at sill (see detail at right).

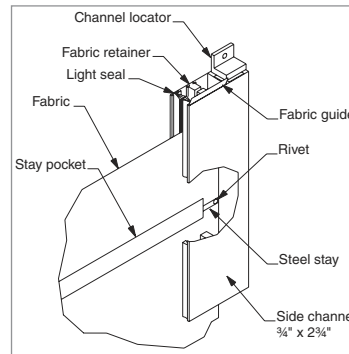
Dimensions, drawings and specifications available at: www.draperinc.com/go/LightBloc.htm.



Pictured above and below left: LightBloc FlexShades with SB9000 at St. Stephen Church & Prayer Retreat Center, Jeffersonville, IN. Design/Installation: Best Blind & Shade, Louisville, KY. Photography: © 2005 Kenneth Hayden, Louisville, KY.

Dimensional Drawings—LightBloc System

Available in sizes through 8' wide x 12' high. Cannot be coupled. *Note: For proper operation, LightBloc units must be installed square and plumb.*



Inside mounting of LightBloc requires mounting angle, not shown.

