

# ULTIMATE ACCESS SERIES

WITH AN INDEPENDENTLY  
MOTORIZED CEILING CLOSURE.



All the advantages of the ACCESS, plus an independently motorized ceiling closure. The extruded aluminum case is plenum rated (UL approved for use in environmental air space). Case can be installed in advance of screen: see page 6.

- When closed, the motorized closure forms a solid bottom panel giving the ceiling a clean appearance.
- Touch a switch or wireless transmitter and the door of the ULTIMATE ACCESS opens into the case before the viewing surface descends.
- Entire closure extends down as required for screen installation or adjustments.

**ULTIMATE ACCESS/SERIES V**—Motorized screen with our Tab Tensioning System in choice of M1300, M2500 or HiDEF GREY front projection surface, as well as CINEFLEX rear projection surface. Sizes through 12' wide.

**ULTIMATE ACCESS/SERIES E**—Motorized screen with choice of viewing surface: Matt White, Glass Beaded, HIGH CONTRAST GREY or acoustically transparent AT1200 or AT GREY. Sizes through 12' wide.

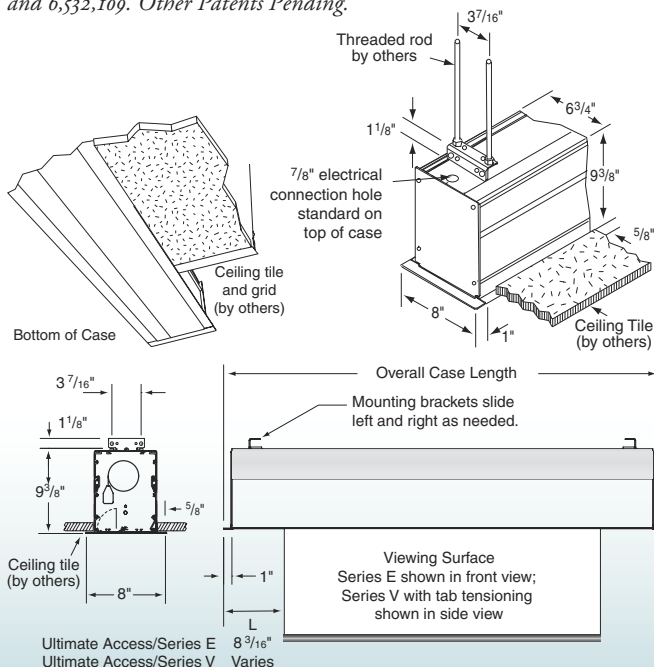
## SYSTEM OPTIONS

- **EXTRA DROP**—Up to 12' overall height, either screen surface color or black.
- **BLACK MASKING BORDERS**—Borders are optional for Series E in AV format, standard for all others.
- **CONTROL OPTIONS**—Page 4. Controls may be built into case.

Dimensions, drawings and specifications available at:

[www.draperinc.com/go/UltAccV.htm](http://www.draperinc.com/go/UltAccV.htm)  
[www.draperinc.com/go/UltAccE.htm](http://www.draperinc.com/go/UltAccE.htm)

U.S. Patent Nos. 5,341,241; 6,137,629; 6,421,175  
and 6,532,109. Other Patents Pending.

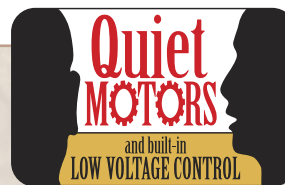


Michigan Chamber of Commerce, Lansing, MI.  
Dealer: City Animation, Troy, MI.

## DIMENSIONS & DATA—ULTIMATE ACCESS SERIES

	Size H x W	Series E		Series V		
		Case Length	Net Wt. (lbs.)	Case Length*	Net Wt. (lbs.)	
<b>AV Format</b>	50" x 50"	66 3/8"	82	75 7/8"	84	
	60" x 60"	76 3/8"	89	86 7/8"	96	
	70" x 70"	86 3/8"	98	96 7/8"	100	
	84" x 84"	100 3/8"	105	112 1/8"	108	
	72" x 96"	112 3/8"	121	122 7/8"	134	
	96" x 96"	112 3/8"	127	125 5/8"	135	
	7' x 9'	124 3/8"	134	136 1/8"	138	
	9' x 9'	124 3/8"	135	137 3/8"	139	
	8' x 10'	136 3/8"	141	149 5/8"	144	
	10' x 10'	136 3/8"	155	151 3/8"	158	
	9' x 12'	160 3/8"	157	173 3/8"	160	
	12' x 12'	160 3/8"	173	179 3/8"	176	
	Nominal Diagonal	Image Area H x W	Series E		Series V	
			Case Length	Net Wt. (lbs.)	Image Area H x W	Case Length* Net Wt. (lbs.)
<b>NTSC Video Format (4:3)</b>	6'	42 1/2" x 56 1/2"	76 3/8"	85	42 1/2" x 56 1/2"	82 3/8" 87
	7'	50" x 66 1/2"	86 3/8"	96	50" x 66 1/2"	92 3/8" 99
	100"	60" x 80"	100 3/8"	103	60" x 80"	106 7/8" 106
	10'	69" x 92"	112 3/8"	121	72" x 96"	122 7/8" 134
	11'	78" x 104"	124 3/8"	136	78" x 104"	132 1/8" 140
	150"	87" x 116"	136 3/8"	138	87" x 116"	144 1/8" 142
	15'	105" x 140"	160 3/8"	157	108" x 144"	173 3/8" 160
<b>HDTV Format (16:9)</b>	92"	45" x 80"	100 3/8"	100	45" x 80"	105 7/8" 103
	106"	52" x 92"	112 3/8"	120	52" x 92"	117 7/8" 130
	119"	58" x 104"	124 3/8"	132	58" x 104"	129 7/8" 135
	133"	65" x 116"	136 3/8"	134	65" x 116"	142 7/8" 137
	161"	79" x 140"	160 3/8"	152	79" x 140"	168 1/8" 155

\*Additional drop on Series V may increase case length. Specify when ordering, and contact DRAPER if this dimension is critical. Case lengths include flange to support ceiling tile.



This screen is available with optional Quiet Motors, Built-In Low Voltage Controls, or both Quiet Motors and Built-In Low Voltage Controls. See page 4 for more details.