

VITS Inserter

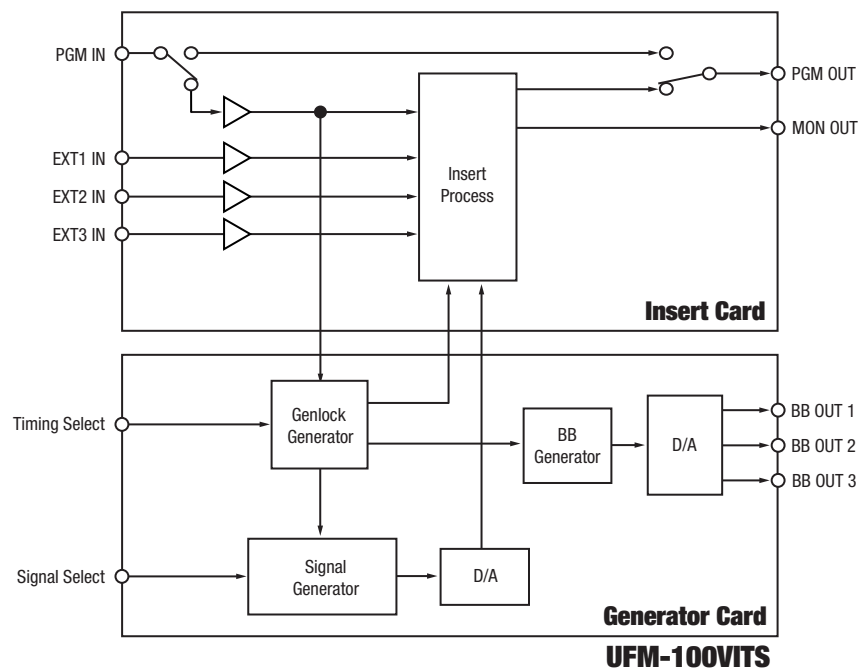
UFM-100VITS

The UFM-100VITS is a module-type VITS inserter that can be installed in the UFM frame. It inserts internally or externally generated test signals or data patterns on 10 to 23 lines in the vertical blanking period of the input program signal.

Features

- Consists of an insertion module and signal generation module.
- Internally and externally-generated test signals can be set as program output VITS signals.
- Delete and pass functions available for the same lines as the insert function.
- 3 inputs available for external VITS signals.
- Input program signals can be used as through output without conversion.

Block Diagram



VITS
 Inserter

Test Signal
 Generator

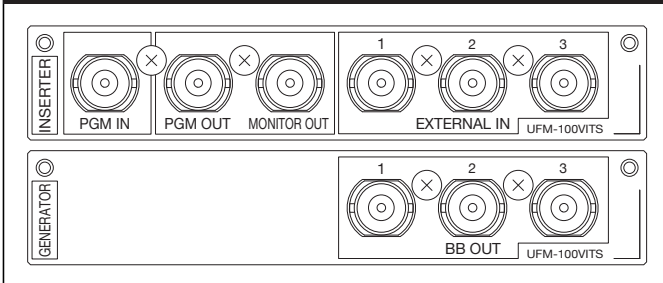
3 external
 VITS
 signals in

BB
 3 out

UFM-100VITS Specifications

● Standard	525/60 (NTSC)
● Internal Generate Signal	12-bit, 8fsc (28.6MHz)
● Program Input	Analog composite: 1.0Vp-p, 75Ω, 1ea., BNC (w/ bypass function)
● External Input	Analog composite: 1.0Vp-p, 75Ω, 3ea., BNC
● Program Output	1.0Vp-p, 75Ω, 1ea., BNC (w/ bypass function)
● Program monitor Output	Analog composite: 1.0Vp-p, 75Ω, 1ea., BNC
● BB Output	Analog composite: 0.429Vp-p, 75Ω, 3ea., BNC
● Frequency	±2% (for up to 5.5MHz), ±5% (for up to 10MHz)
● Chrominance-to-Luminance Gain	Less than 1%
● Chrominance-to-Luminance Delay	Less than 5nsec
● DG / DP	Less than 0.3% / Less than 0.3°
● HV Tilt	Less than 1%
● DC Output Level	0V ±10mV
● S/N Ratio	Better than 60dB
● I/O Delay	11.3° (±1°), Approx. 8.8nsec
● Temperature / Humidity	10°C - 40°C / 30% - 90% (no condensation)
● Power / Consumption / Draw	+12VDC - +24VDC ±10% / 7.1W / +12VDC: 0.53A, +24VDC: 294mA
● Dimensions / Weight	106 (W) x 303 (D) mm (Front board), 108.5 (W) x 66.1 (D) mm (Rear board) / Approx. 1.0kg (2 module total)
● Require Slot	2 slot
● Accessories	Operation manual

UFM-100VITS Rear View



Universal Frame Line-up

UF-106A



Universal frame that can install up to 6 UFM modules, provides redundancy and universality, and contributes to reduced system space

UF-112



Universal frame that can install up to 12 UFM modules, provides redundancy and universality, and supports remote monitoring with installation of control board

FOR-A COMPANY LIMITED

Head Office : 3-8-1 Ebisu, Shibuya-ku, Tokyo 150-0013, Japan

FOR-A America Corporate Office : 11125 Knott Ave., Suite #A, Cypress, CA 90630, U.S.A.

FOR-A America East Coast Office : 1065 Avenue of the Americas Suite #1701A New York, NY 10018, U.S.A.

FOR-A America Distribution & Service Center : 2400 N.E. Waldo Road, Gainesville, FL 32609, U.S.A.

FOR-A Corporation of Canada : 425 Queen St. W. #211, Toronto, Ontario M5V 2A5, CANADA

FOR-A UK Limited : UNIT C71, Barwell Business Park, Leatherhead Road, Chessington Surrey, KT9 2NY, U.K.

FOR-A Italia S.r.l. : Viale Europa 50 20093, Cologno Monzese (MI), Milan, ITALY

FOR-A Corporation of Korea : 801 Dongsan Bld., 53-1 Dongsan-Dong, Youngdeungpo-Gu, Seoul 150-800, Korea

Homepage: <http://www.for-a.com/>

+81 (0)3-3446-3936

+1 714-894-3311

+1 212-861-2758

+1 352-371-1505

+1 416-977-0343

+44 (0)20-8391-7979

+39 02-254-3635/6

+82 (0)2-2637-0761

Fax : +81 (0)3-3446-1470

Fax : +1 714-894-5399

Fax : +1 212-861-2793

Fax : +1 352-378-5320

Fax : +1 416-977-0657

Fax : +44 (0)20-8391-7978

Fax : +39 02-254-0477

Fax : +82 (0)2-2637-0760

