

HD-8

Audio/Video/ IR Routing Switcher



Features

- Route 8 audio & video sources to as many as 8 rooms
- Audio may be routed separately
- IR routing
- Variable audio outputs from front panel or remote control
- Convert S-video to composite
- On-screen display
- Five-year warranty

Applications

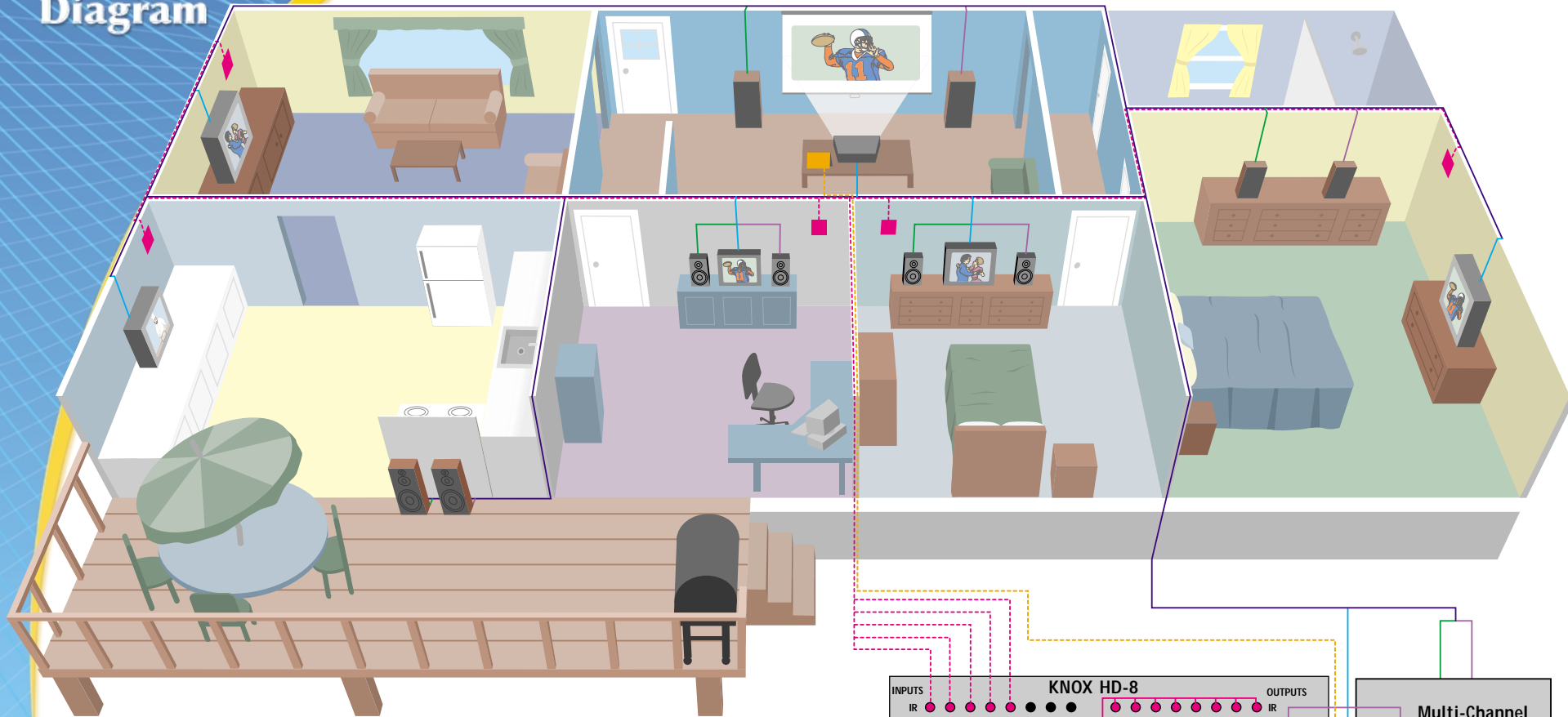
- Residential
- Retail Display
- Multimedia Presentation
- Sports Bars
- Education



**KNOX VIDEO
TECHNOLOGIES**

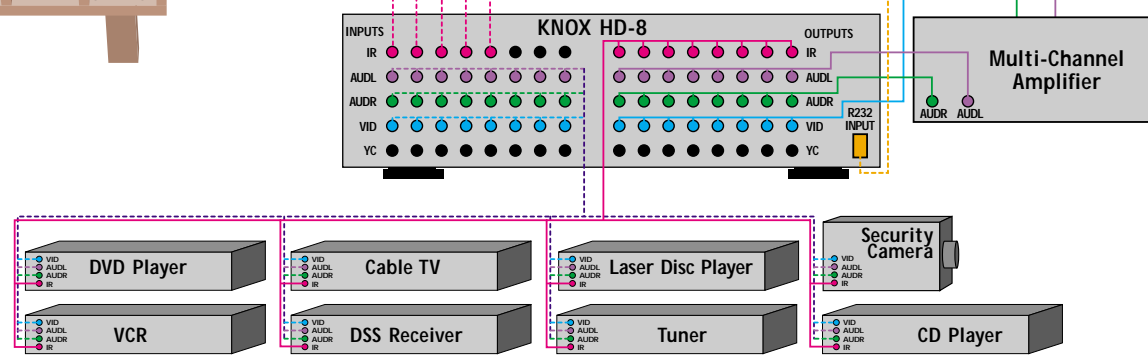
HD-8 Multi-Source, Multi-Zone Routing System — Residential Application

Conceptual Diagram



- Audio/Video signals may be routed to any zone, any combination of zones or all zones without any signal loss. Audio may be routed independently of the video (e.g. listen to radio commentators while watching the football game on TV).
- Signals from IR receivers in each zone may connect directly to 1/8" mini-jacks on the rear panel of the HD-8.
- Each zone may have direct control of each audio/video component as shown here. A system may also be designed, grouping components on each IR output, so that each zone may have access to some, but not all devices. For example, IR output 1 might include the CD player, cable box and tuner, while output 2 may include the VCR, DSS, DVD and Laserdisc player.
- Touch-screen controllers may be used throughout the house to control the HD-8 via the RS232 port.
- HD-8 is fully compatible with AMX and Crestron touch-screen controllers.
- Control the HD-8 from your computer (not shown here) using Knox Windows control software included.
- Set-up a Local Area Network (LAN) and use the Knox NetControl2000 (optional), to control the HD-8 from any computer in the house. With the NetControl2000 and internet access, control the HD-8 from anywhere in the world.

Key		
	IR Output	
	IR Input	
	R232 Input	
	Video Output	
	Video Input	
	Audio Left Output	
	Audio Left Input	
	Audio Right Output	
	Audio Right Input	
	Audio/Video Output	
	Audio/Video Input	



HD-8... Audio/Video/IR Routing Switcher

Knox Video Technologies breaks new ground in audio/video distribution systems. After two years of talking to installers across the country, Knox Video has engineered a solution that fulfills the needs of the residential, commercial and industrial markets.

Knox Video's HD-8 routing switcher enables multi-source, multi-zone routing and distribution of audio, video and IR signals. Any source signal (DVD, DSS, Laserdisc, CD, etc.) can be sent to any room or to any combination of rooms simultaneously without any glitch, noise or signal degradation. Audio can automatically follow the video or audio and video may be routed separately. Infrared control signals may be routed and distributed through the HD-8 allowing total control of all components from any room in the house. Rear-panel RCA connectors are gold plated and color-coded for easy installation.

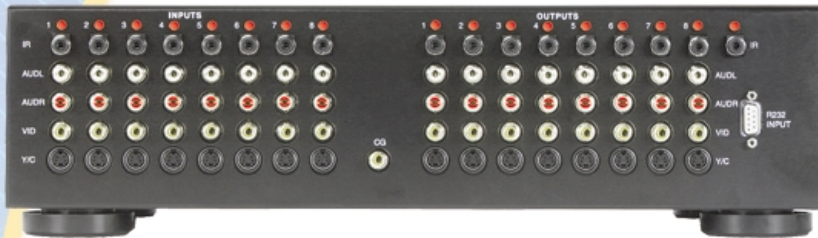
S-video signals may also be converted as well as routed. S-video signals from components into the HD-8 are automatically converted to composite video out for dual

output signals. In addition, audio output levels can be adjusted from the front panel or via remote control. Childproof the system by setting the maximum volume level for all rooms from the front panel controller.

This component may be controlled from the user-friendly front panel push-buttons or with the supplied IR remote control. At a glance, you can see whatever is being watched, or listened to, in any room of the house. The lighted window on the front panel of the HD-8 displays the rooms of the house and the components routed to them. The on-screen labels of rooms and components may be custom programmed for any home using the Windows configuration software provided.

The Knox HD-8 comes standard with RS232 and is compatible with both AMX and Crestron controllers.

Technical Specifications



VIDEO CHANNELS

Levels	1 v. NTSC or Y/C (S-VHS or Hi8) composite picture video
Frequency Response	DC to 200MHz 1 v<-3db down at 115 MHz .3v<-3db down at 150 MHz .3v<-6db down at 200 MHz
Input Impedance	75 ohm
Output Impedance	75 ohm
Crosstalk	less than -70db @5MHz

AUDIO CHANNELS

Levels	2 v. unbalanced audio, including voice, music, PCM, control track, SMPTE time code, and others
Frequency Response	20Hz through 30kHz
Input Impedance	100Kohm
Output Impedance	1Kohm
Crosstalk	less than -85db @1kHz

IR CHANNELS

Signal (tip)	TTL levels, active high, 100 ohm source impedance
Power (ring)	+5v through 47 ohms (jumperable to +8v)
Ground (sleeve)	
Connectors-Video	(17) RCA
Connectors-Audio	(32) RCA
Connectors-Data	(16) 1/8" mini-jack
Connector-RS232	(1) DB9 female

POWER

Consumption	nominal 12 vdc, 1000 mA (from internal switching power supply)
Input Voltage	105/250 vac, 50/60Hz (automatic sensing)

DIMENSIONS

17" wide x 4.5" high x 10" deep	
Shipping Weight	12 pounds

www.knoxvideo.com



**KNOX VIDEO
TECHNOLOGIES**

8547 GROVEMONT CIRCLE
GAITHERSBURG, MD 20877
TEL: 301 840 5805
FAX: 301 840 2946