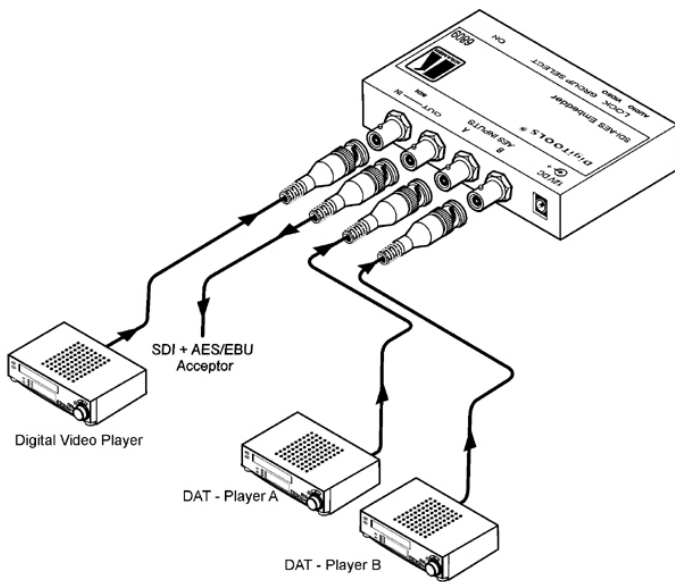


6809

SDI AUDIO EMBEDDER



The 6809 is an audio embedder for SDI (SMPTE 259M) video signals. The SDI input will be embedded with up to 2 channels of AES/EBU audio signals.



DESCRIPTION

- Inputs - 1 SDI and 2 AES/EBU.
- Output - 1 SDI with embedded audio - Cable equalized and reclocked up to 350 Meters (1150').
- Group Select - Select which 2 of 4 SDI audio channels to embed audio.
- Status - Audio and video input status LEDs.
- Compact Size - Part of the Kramer TOOLS™ family of compact, high quality and cost effective solutions.

SPECIFICATIONS

- | | |
|---------------|--|
| INPUTS: | 1 x SDI, 2x AES/EBU on BNC connectors. |
| OUTPUTS: | 1 x SDI with embedded audio on a BNC connector. |
| CONTROLS: | Group select. |
| POWER SOURCE: | 12 VDC, 400mA. |
| DIMENSIONS: | 12 x 7.5 x 2.5 cm (4.7" x 2.95" x 0.98"), W, D, H. |
| WEIGHT: | 0.3 kg. (0.66 lbs.) approx. |
| ACCESSORIES: | Power supply, mounting bracket. |
| OPTIONS: | 19 inch rack adapters RK-T1, RK-T3. |

6809