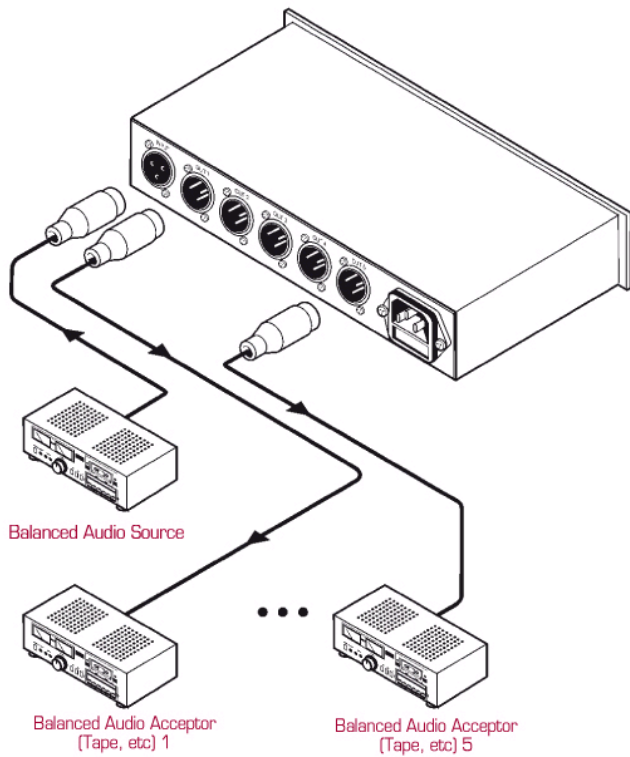


VM-5AD

1:5 BALANCED AUDIO DISTRIBUTION AMPLIFIER



The Kramer VM-5AD is a high performance distribution amplifier for balanced mono or unbalanced stereo audio signals on XLR connectors. It takes a mono or stereo input and distributes the signal to five identical outputs.



DESCRIPTION

- Level (Gain) Controls.
- Mic or Line Input Level Selection.
- Balanced/Unbalanced Input Selection.
- S/N Ratio - 88dB.
- Desktop Size - Compact size. Can be rack mounted in a 1U rack space with the optional RK-MEDN adapter.

SPECIFICATIONS

INPUT:	One balanced mono audio, or unbalanced stereo, up to 18Vpp/50kΩ on a female XLR connector. Mic state - one balanced mono Mic or unbalanced stereo Mic - 5mV/10kΩ.
OUTPUTS:	5 balanced mono audio or unbalanced stereo, up to 20Vpp/50Ω on male XLR connectors.
AUDIO BANDWIDTH (-3DB):	80 kHz.
S/N RATIO:	88dB.
CHANNEL MATCHING:	>60dB.
THD:	0.011%.
LEVEL RANGE:	20dB.
POWER SOURCE:	230VAC, 50/60 Hz (115V U.S.A.), 3.4 VA.
DIMENSIONS:	24.5cm x 18cm x 4.5cm (9.6" x 7" x 1.8", W, D, H).
WEIGHT:	1.2 kg. (2.7 lbs.) approx.
ACCESSORIES:	Power cord.
OPTIONS:	RK-MEDN rack kit holds one unit in one 19" vertical rack space.