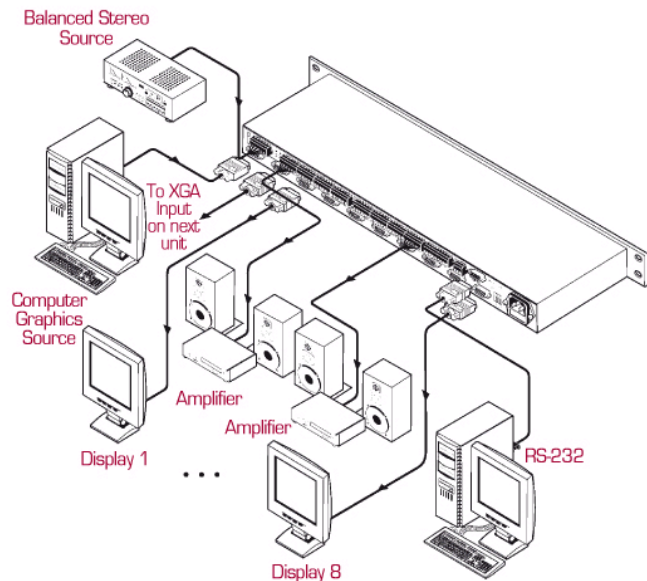


**VP - 108****1:8 VGA/XGA AUDIO DISTRIBUTION AMPLIFIER WITH OUTPUT DISABLE**

The VP-108 is a high performance computer graphics video amplifier for computer graphics signals, with resolutions ranging from VGA through UXGA and higher, and balanced stereo audio signals. It takes one computer and a balanced stereo audio input and will output to eight computer and balanced stereo audio signals.

**DESCRIPTION**

- High Bandwidth - 400MHz (- 3dB).
- HDTV Compatible.
- Control - RS-232 & Contact Closure for individual output disconnect.
- Audio Level (Gain) Controls.
- Looping Input.
- Selectable Input Signal Termination.
- Standard 19" Rack Mount Size - 1U.

**SPECIFICATIONS**

INPUT:	1 XGA on an HD15F connector; 1 LOOP on an HD15F connector. 1 balanced audio + 4dBm 100kΩ on detachable terminal block connectors. 8 XGA on HD15F connectors.
OUTPUTS:	8 balanced audio + 4dBm 50Ωon detachable terminal block connectors.
MAX. OUTPUT LEVEL:	Video: 1.5 Vpp, Audio: 25 Vpp.
BANDWIDTH (-3DB):	Video: 400 MHz, Audio: 100 kHz.
DIFF. GAIN:	0.03%.
DIFF. PHASE:	0.03 Deg.
K-FACTOR:	0.05%.
S/N RATIO:	74.3dB, Audio: 77.7dB unweighted.
CONTROLS:	Level :- 1.1 to + 6.2dB; Audio: Level :- 0.9 to + 8.6dB.
EQUALIZATION:	0dB to + 8dB, 50MHz.
COUPLING:	DC, Audio: DC.
AUDIO THD + NOISE:	0.022%.
AUDIO 2ND HARMONIC:	0.003%.
POWER SOURCE:	90-260 VAC, 50/60 Hz, 7.3VA.
DIMENSIONS:	19inch (W), 7inch (D), 1U (H) rack mountable.
WEIGHT:	2.6 kg. (5.7 lbs.) approx.
ACCESSORIES:	Power cord, Null modem adapter, Windows®based Kramer control software.