

Marshall Electronics

1910 East Maple Ave.
El Segundo, CA 90245
Tel.: 800-800-6608 • Fax: 310-333-0688
www.LCDRacks.com
Email: sales@lcdracks.com

Marshall Electronics

1910 East Maple Ave.
El Segundo, CA 90245
Tel.: 800-800-6608 • Fax: 310-333-0688
www.LCDRacks.com
Email: sales@lcdracks.com



V-R191P-SDI Users Guide

19" High Resolution Rack Mountable
LCD Monitor with SDI Input

8 Warranty

Marshall Electronics warrants to the first consumer, that this V-R191P-SDI inch LCD rack mounted monitor will, under normal use, be free from defects in workmanship and materials, when received in its original container, for a period of one year from the purchase date.

This warranty is extended to the purchasing end user only and proof of purchase is necessary to honor the warranty. If there is no proof of purchase provided with a warranty claim, Marshall Electronics reserves the right not to honor the warranty set forth above. Therefore, labor and parts may be charged to you.

This warranty does not apply to product exterior and cosmetics. Misuse, abnormal service or handling, improper alterations or modifications in design or construction, voids this warranty. No sales personnel of the seller, nor any other person is authorized to make any warranties other than those described above, or to extend the duration of any warranties on behalf of Marshall Electronics, beyond the time period described above.

An extra note about LCD displays: It is considered normal for a minimal amount of pixels, not to exceed three, to fail on the periphery of the display active viewing area. Marshall Electronics has the option to reserve service for display pixel failure if deemed unobtrusive to effective use of the monitor by our technicians.

Due to constant effort to improve products and product features, specifications may change without notice.

Product Overview	1
Features	2
Electrical Specifications	3
Mechanical Information	4
Operational Setup	5
Connectors	6
Switch Settings and Indicators	7
Warranty	8

1 Product Overview

The **V-R191P-SDI** is a 19inch high resolution LCD panel that is the perfect fit for your DTV monitor needs. The unit offers a flexible input configuration without the need of special adapters or control boxes. This model has standard inputs with active loop through on each connection for SDI (ITU-R601), composite video, and Y/C (S-Video). For your computer graphic applications, this unit also has a scaleable VGA input. As an added feature, a 10-bit analog output is available when using an SDI signal. Adjustments are made using convenient front panel controls.

2 Features

- High Resolution wide screen can produce 16.9 million colors with 3.93 million pixels
- CRT style viewing radius - 190° in any direction provides superior visibility
- Bright display for enhanced image quality in varying light and viewing conditions.
- 500:1 contrast ratio with response rates less than 16 ms results in excellent quality for moving images.
- 4:3 and 16:9 screen aspect ratios for DTV operations
- Standard Multiformat inputs
- When the SDI input signal is present, a standard 10-bit composite output is available
- Ready to install in standard EIA 19 inch rack
- Convenient front panel controls with dedicated input and ratio selections and adjustments.
- Three independent tally indicators annunciate up to seven states.
- Weighs only 14 lbs. - **Up to 50 lbs. lighter than 19-inch CRT models.**

3 Specifications

Display (Viewing Area)	19" diagonal (14.82" × 11.85")(37.64cm x 30.1cm) (4:3 Aspect Ratio)
Viewing Angle	190° In any direction
Resolution (Dots)	1280H × 1024V / 3.93 million pixels
Dot Pitch	0.98 mm-H x 0.294mm-V
Pixel Response	>15 ms
Number of Colors	16.9 Million
Brightness (in cd/m²)	250 cd/m²
Contrast Ratio	500:1
System	NTSC/PAL auto detect
Inputs	Composite-BNC 75Ω, Y/C (S-Video)-4 Pin Mini-din Female, SDI-BNC 75Ω, Scalable VGA HD-15 Female, Tally DB-15 Female, RS232-DB-15 Female, 12VDC-Conxall Female
Outputs	Composite Active Loop-BNC, SDI Active Loop-BNC, Y/C (S-video) Active Loop-4 Pin Mini-din Female, 10-bit D/A out-BNC
Power required	12VDC, 3.0Amps peak

4 Mechanical Information

V-R191P-SDI Dimensions	19.12"W x 13.8"H x 2.5"D (48.56cm x 34.98cm x 63.50cm)
V-R191P-SDI Approx. Weight	14 lbs (6.3kg)
V-PS12-3.3APower Supply Weight	1 lbs (0.45kg)

5 Operational Setup

1. Unpack the V-R191P-SDI and accompanying V-PS12-3.3A power supply. Physically inspect for any damage that may have occurred during shipping. Should there be any damage, immediately contact Marshall Electronics at 800-800-6608. If you are not located within the continental united states call +1 310-333-0606.
2. After inspection, install in your desired location of a standard EIA 19-inch equipment rack. Adequate ventilation is required when installed to prevent possible damage to the V-R191P-SDI internal components.
3. Connect required cables for signal input and output.

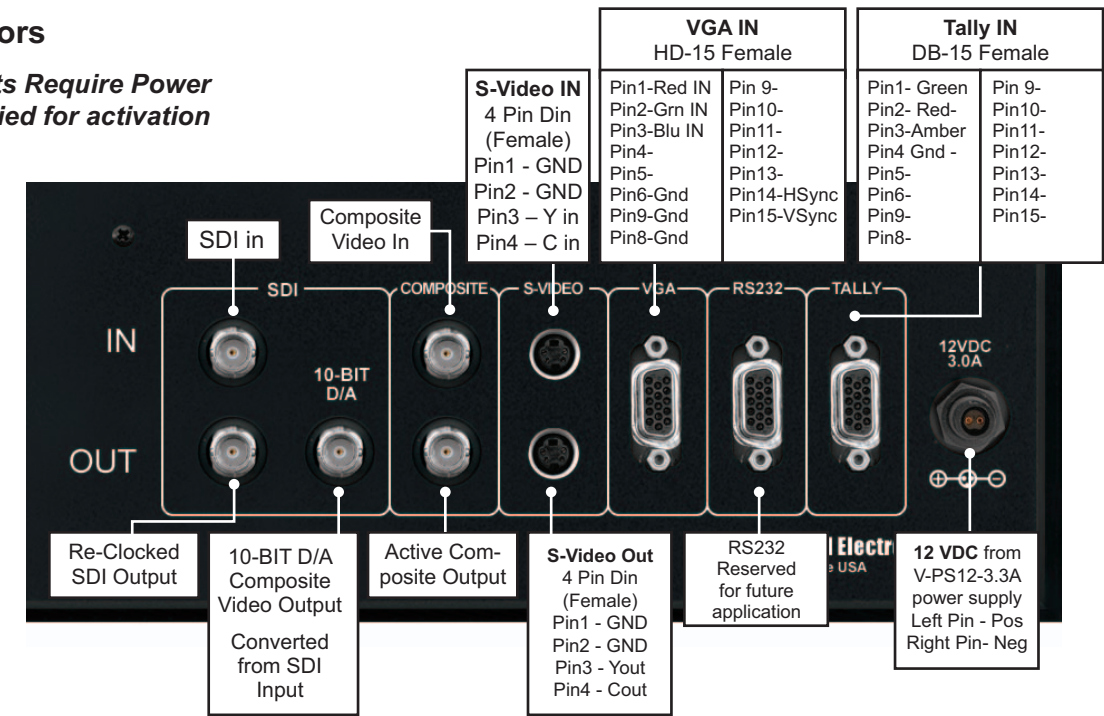
Please note that power must be applied to the V-R191P-SDI for all of the looped outputs to be activated.

All BNC connectors should be rated for 75Ω.

4. Plug the V-PS12-3.3A power supply into the A.C. source
5. Attach twist lock power connection from V-PS12-3.3A power supply to the back of the unit.
6. Turn on the V-R191P-SDI by depressing the power switch located on the front of the unit.

6 Connectors

*** All Outputs Require Power to be applied for activation**



7 Switch Settings and Indicators

POWER On/Off selection switch
Illuminates dim red when power is applied. Turns bright red when monitor is switched on

Source selector switches for images displayed on screen
Selected source button will be illuminated

Color Bar On/Off selection switch
Illuminates when bars are active. Bar signal type will change with video format NTSC/PAL

Screen aspect switch 4:3 or 16:9 selector and indicators
16:9 Aspect 4:3 Aspect
VGA screen aspect is determined by input signal see table to the left for pixel resolution to aspect relationship

Screen adjustments
TINT adjust is not available for PAL signal standards.
TINT and COLOR adjust are not available for VGA signals

Tally Indicators

VGA RESOLUTION (FREQUENCY)	DISPLAY ASPECT
640 X 480 (60, 95, 85 Hz)	4:3 / 16:9
800X 600 (60, 95, 85 Hz)	4:3 / 16:9
1024X 968 (60, 95, 85 Hz)	4:3 / 16:9
1280 X 920 (60 Hz)	16:9
1280 X 960 (60, 85 Hz)	16:9
1280 X 1024 (60, 95, 85 Hz)	4:3 / 16:9
1600 X 1200 (60 Hz)	16:9