

HD-Bridge DEC+

HDV to HD/SD interface

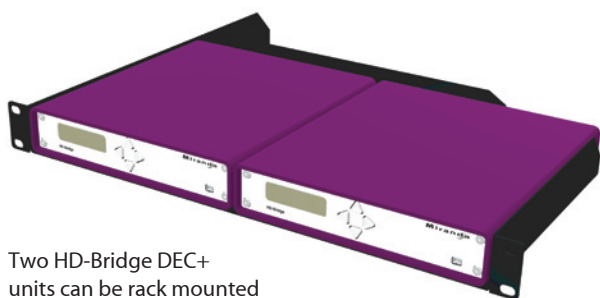
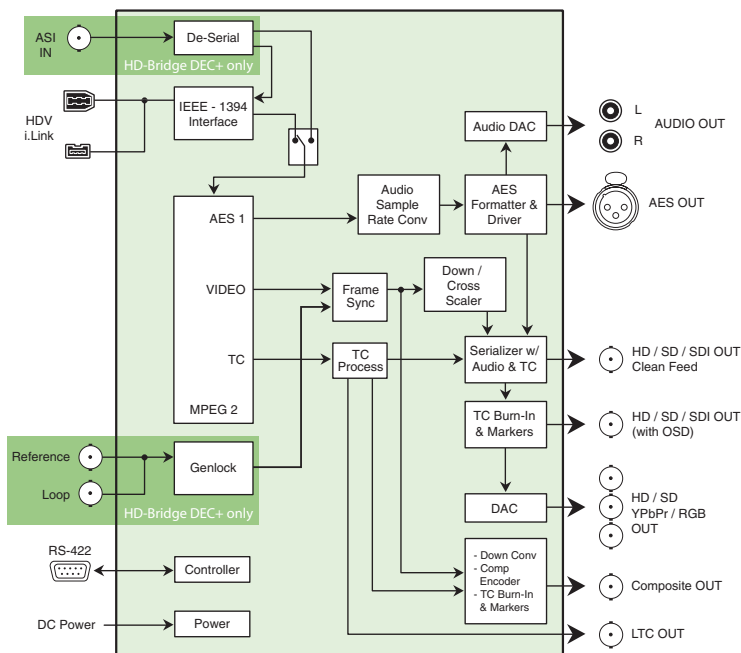


Miranda's HD-Bridge DEC+ is a high quality HDV (MPEG2) decoder interface with multiple output formats for news gathering, recording, monitoring, and on-air playout. HD-Bridge DEC+ features two HDV IEEE-1394 ports (iLink, Firewire), an ASI input, and a Genlock reference input. Dual digital video outputs provide either HD-SDI or SDI with embedded audio and Time Code. One output is a clean feed, and the other features Time Code burn-in and aspect ratio markers. The interface also provides composite, SD/HD

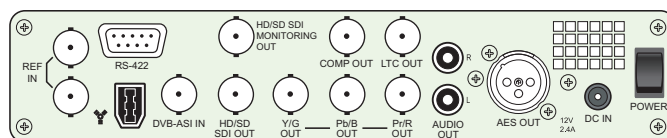
component video, AES and analog audio, and LTC outputs. A RS-422 port is available for VTR control, and a built-in cross converter allows 1080i / 720p HD cross-conversion. The interface can also perform 720p24 HDV to 1080PsF24 HD-SDI conversion for high-end 24p production, and there is also a 1080i/720p HD to SD downconverter. A lower cost version of the HD-Bridge DEC+, called HD-Bridge DEC, is identical except that it does not include the ASI and Genlock inputs.

Key Features and Benefits

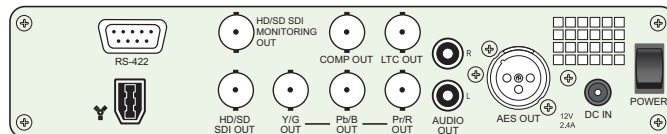
- ⊕ High quality HDV to HD/SD conversion
- ⊕ Multiple outputs: HD/SD with embedded audio and Time Code, Component Analog SD/HD, Composite, AES, Analog audio and Time Code
- ⊕ Cross conversion with HD-SDI output at 1080i or 720p
- ⊕ Dual HD/SD outputs: one clean output, and one with Time Code burn-in and Graticule Markers
- ⊕ Desktop design with front (4-pin) and rear (6-pin) IEEE-1394 HDV connections
- ⊕ VTR control by RS-422
- ⊕ Genlock input for broadcast applications
- ⊕ Low cost monitoring by constant Composite output
- ⊕ 720p24 HDV to 1080PsF24 HD-SDI conversion for high-end 24p production (Universal Mastering Format)
- ⊕ ASI input for cost effective HD news gathering, when used with ASI-Bridge CAM (see page 24)
- ⊕ Downconverter HDV/HD to SDI with selectable anamorphic, cropped or letterbox formats.



Two HD-Bridge DEC+ units can be rack mounted with the TRAY-120



HD-Bridge DEC+ rear



HD-Bridge DEC rear

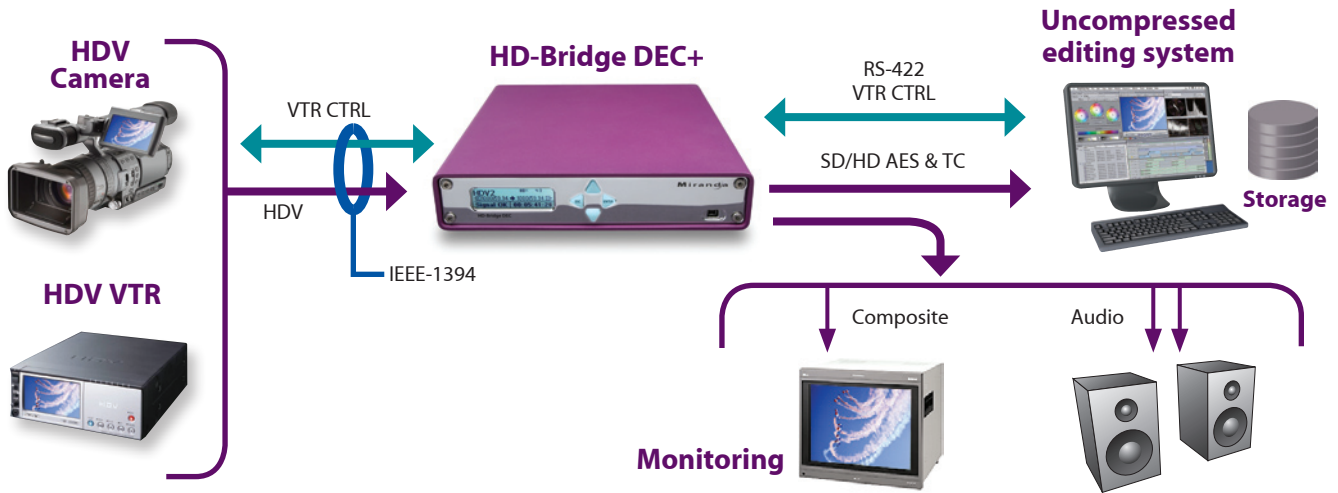
Ordering Information

Model	Description
HD-Bridge DEC+	HDV to HD/SD Interface with Genlock and ASI Inputs
HD-Bridge DEC	HDV to HD/SD Interface
TRAY-120	19" Rack Mount Tray for Two HD-Bridge DEC Interfaces

HD-Bridge DEC+ Typical applications

HD/SD capture and editing

HD-Bridge DEC+ converts HDV to HD/SD for high quality, uncompressed HD/SD editing, with easy digital/analog video and audio monitoring.



720p24 HDV to 1080p24 HD-SDI "Universal Mastering Format" conversion

The HD-Bridge DEC+ is ideal for performing 720p24 HDV to 1080p24 HD-SDI conversion for high-end 24p production.



HDV content for broadcast playout

The versatile HD-Bridge DEC+ features multiple outputs which simplify the monitoring, recording and on-air playout of HDV content.

HDV editing



On-air playout



Long range HDV news gathering over coax

The HD-Bridge DEC+ can be combined with the ASI-Bridge CAM (see page 24) to create a highly effective long range HDV news gathering system. This overcomes the short range limits of Firewire cable, and allows more flexibility in the field.

