

# HDA-1822/1832

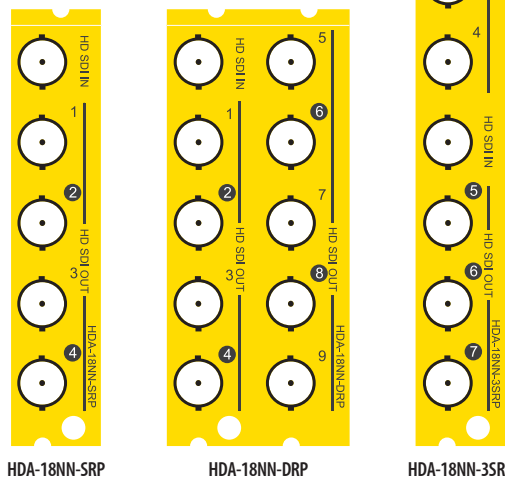
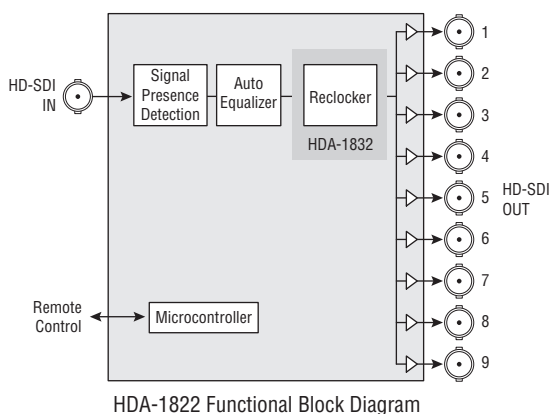
## HD/SD/ASI DA with EQ / reclocked



The HDA-1822 is an HD/SD/ASI DA with up to 9 outputs and automatic equalization for up to 110 meters (Belden 1694A). The HDA-1822 DA supports both HD-SDI (SMPTE-292M) and SDI (SMPTE-259M-C). It also offers signal presence detection and remote reporting. The card's multi-format features make it ideal for applications where HD and SD signals may co-exist. The HDA-1832 is a reclocked HD/SD SDI DA with up to 9 outputs and automatic equalization for up to 110 meters (Belden 1694A). Reclocking of the video signals provides an additional level of signal integrity in long cable length applications. The HDA-1832 DA supports both HD-SDI (SMPTE-292M) and SDI (SMPTE-259M-C) and also offers signal presence detection and remote reporting.

### KEY FEATURES AND BENEFITS

- > HD-SDI input
- > 9 HD-SDI outputs (reclocked for HDA-1832)
- > Supports HD-SDI (1.485, 1.485/1.001 Gbps)
- > Supports SD-SDI (143 to 540 Mbps)
- > 110 m automatic cable equalization
- > Signal presence detection with remote reporting



Note: Outputs marked with black circles are not suitable for DVB-ASI distribution.

### TECHNICAL SPECIFICATIONS

#### INPUT

Signal: SMPTE 292M (1.485, 1.485/1.001 Gbps)  
 SMPTE 259M-ACD (143, 270 and 360 Mbps)  
 SMPTE 344M (540 Mbps)  
 EN50 083-9 DVB-ASI (270 Mbps)  
 SMPTE 310M/DVB-SSI

Cable length: HD: 110 m (360')  
 SD: 275 m (900') up to 1.5 Gbps for Belden 1694A

Return loss: >15 dB up to 1.5 GHz

#### OUTPUT

Signal (4/7/9): SMPTE 292M (1.485, 1.485/1.001 Gbps)  
 SMPTE 259M-ACD (143, 270 and 360 Mbps)  
 SMPTE 344M (540 Mbps)

Return loss: >15 dB up to 1.5 GHz  
 Jitter: <0.2 UI p-p (wideband)

**HDA-1822 PROCESSING PERFORMANCE**

Signal path: 10 bits  
 Latency: 3 ns

#### HDA-1832 PROCESSING PERFORMANCE

Signal path: 10 bits  
 Latency: 6 ns

**ELECTRICAL**

Power (HDA-1822): 1.5 W (SRP)  
 2 W (DRP, 3SRP)

Power (HDA-1832): 2 W (SRP)  
 2.5 W (DRP, 3SRP)

### ORDERING INFORMATION

#### Densité 2 frame

HDA-1822	HD/SD/ASI DA with EQ
HDA-1832	Reclocked HD/SD/ASI DA with EQ
HDA-18NN-SRP	Single rear connector panel
HDA-18NN-DRP	Double rear connector panel

#### Densité 3 frame

HDA-1822-3RU	HD/SD/ASI DA with EQ (including 3RU adaptor)
HDA-1832-3RU	Reclocked HD/SD/ASI DA with EQ (including 3RU adaptor)
HDA-18NN-SRP-3RU	Single rear connector panel (including 3RU adaptor)
HDA-18NN-DRP-3RU	Double rear connector panel (including 3RU adaptor)
HDA-18NN-3SRP	Single rear connector panel

#### Remote control

iControl, iControl Solo, RCP-200