

WDA-1001

Word clock distribution amplifier



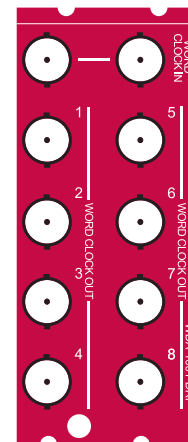
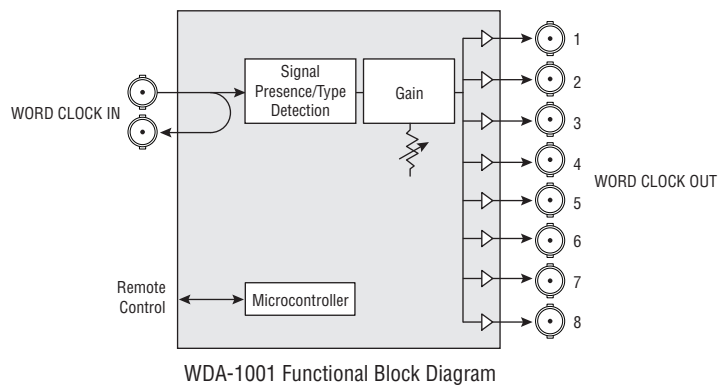
The WDA-1001 is a Word Clock Distribution Amplifier that provides 8 outputs and supports a wide range of clock frequencies and amplitudes. It can fan out AC coupled as well as TTL/CMOS types of signals because the amplifier maintains an end-to-end DC transparency.

A passive loop-through input is provided to ease distribution of more than 8 Word Clock signals by daisy chaining other WDA-1001 cards.

Alarms can be enabled to monitor input signal presence and/or overload conditions with user programmable thresholds.

KEY FEATURES AND BENEFITS

- Fans out up to 8 Word Clock signals
- DC Coupled all the way through
- Wide range of amplitudes and frequencies
- Works with both AC-Coupled and TTL/CMOS type of signals
- SDIF-2 Word Clock compliant
- Built-in basic input signal probing with programmable thresholds
- Adjustable output levels



WDA-1001-DRP

TECHNICAL SPECIFICATIONS

INPUT	OUTPUTS (8)	MAXIMUM OUTPUT LEVELS	PROCESSING
Signal: Word clock, TTL/CMOS, AC-Coupled or SDIF-2	Signal: Word clock, DC coupled with Input	TTL input signal: +7 Vp with 1 kohm load +3.5 Vp with 75 ohm load	DC Coupled, non-relocking and non-resaping Distribution Amplifier
Connectors (2): BNC	Connectors: BNC	AC-coupled Input signal: 13 Vpp with 1 kohm load 6 Vpp with 75 ohm load	Bandwidth: 32 to 96 kHz
Maximum input level: ±8 Vp	Output impedance: 75 ohm		Gain with: >1 kohm load: -3 to +12 dB 75 ohm load: -9 to +3 dB
Input impedance: >6 kohm	Output load: ≥75 ohm		Propagation delay: <50 ns
			ELECTRICAL
			Power: 8 W

ORDERING INFORMATION

Densité 2 frame

WDA-1001	Word clock distribution amplifier
WDA-1001-DRP	Double rear connector panel

Densité 3 frame

WDA-1001-3RU	Word clock distribution amplifier (including 3RU adaptor)
WDA-1001-DRP-3RU	Double rear connector panel (including 3RU adaptor)

Remote control iControl, iControl Solo, RCP-200 *

* For full list of supported cards, visit www.miranda.com/RCP-200