



The Sentry line of pan and tilts have been developed specifically for modern long-range video surveillance applications. These products offer substantial multi-sensor payload capacity with the widest dynamic range available with more than 5,000:1 ratio between high and low pan speeds. This means that the units can slew to a target location extremely fast, and then shift to very slow pan mode for tracking at the longest ranges possible. Utilizing QuickSet's proprietary QuickShift™ technology, the rate can switch instantly upon operator command.

The Sentry family uses optical encoders to achieve repeatable angular resolution of 0.05° in both pan and tilt. With onboard electronics, these units can communicate with two mounted imagers while storing dozens of preset locations and tours, offering the most automated pan and tilt products on the market.

Designed from inception as a full marine product, the Sentry 90 is meant for the harshest environments when smart multi-sensor systems are required.



Key Features

Extremely Powerful	The Sentry 90 weighs just over 75 lbs.
Powerful torque vs. size ratio	Payloads requiring 90 foot pounds of torque can be handled with ease.
0.05° angular position repeatability	Very long range optical systems can be programmed to return to exactly the same location every time.
Extremely wide dynamic range	With a variable speed range of 5,000:1 between high and low pan speeds, systems can be designed to rapidly acquire any target then the unit can be controlled very finely for optimum viewing of distant targets.
Dual camera controller built in	This greatly reduces the system design by embedding all the camera controls for two imagers (typically visible and thermal) within the pan and tilt unit.
QuickShift® technology	Exclusive to QuickSet is the ability to digitally change ranges of speed to allow the imagers to acquire targets quickly, then shift to pan and tilt speeds much slower for smaller incremental viewing.
Maritime design	All Sentry products are designed to full marine specifications.

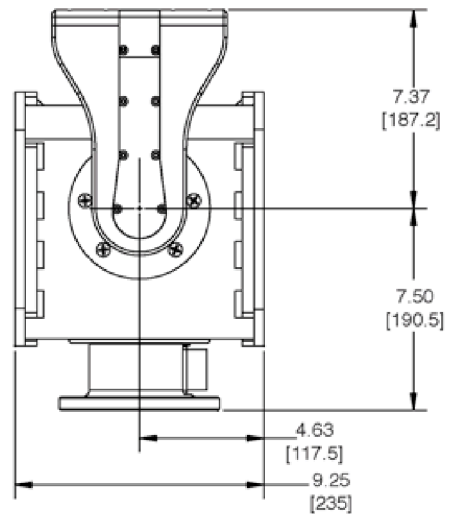
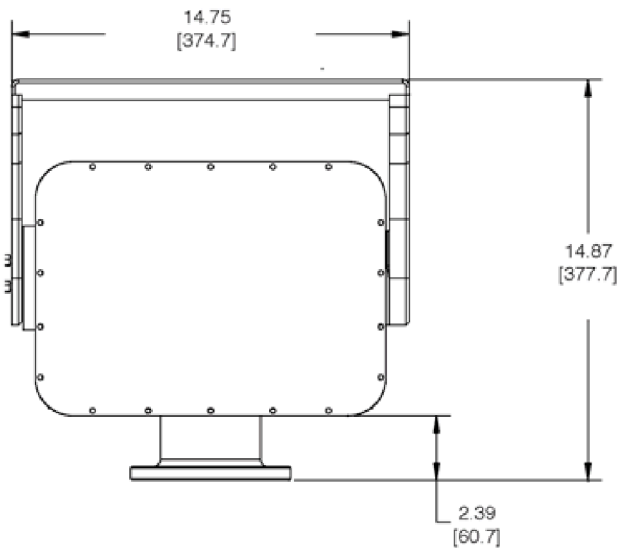
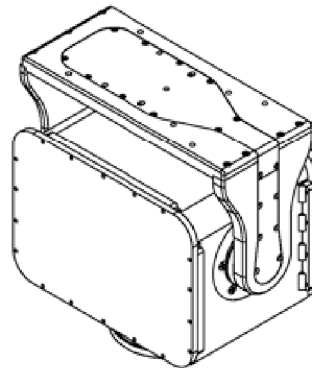
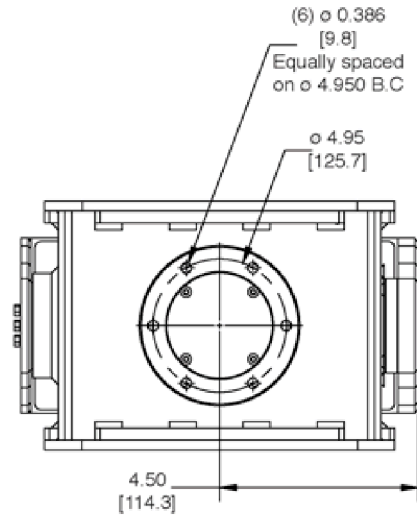
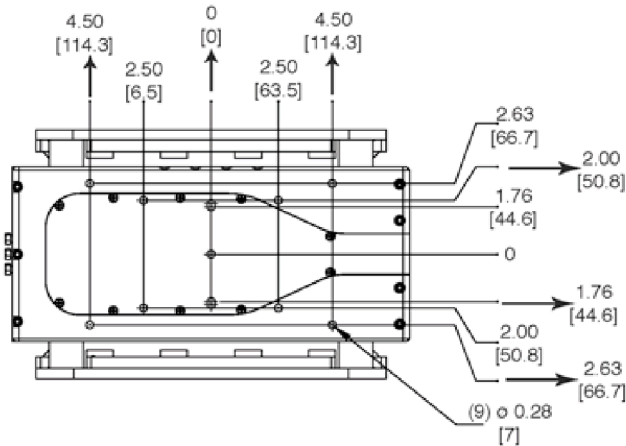
Key Features continued

Voltage:	24VDC (28VDC maximum)
Load Capacity:	90ft.-lbs.
Duty Cycle:	Continuous
Pan Range:	435° (±217.5°), Continuous option
Pan Speed Range:	0.005° to 25°/s (at 90ft.-lbs.)
Pan Motor Current:	6.5 amps max (continuous 3.5 amps)
Tilt Range:	180° (±90°)
Tilt Speed Range:	0.005 to 8°/s (at 90ft.-lbs.)
Tilt Motor Current:	Maximum 6.5 amp Stepper Motor (continuous 3.5 amps)
Pan and Tilt Repeatability:	Pan- 0.05°, Tilt- 0.05°
Weight:	75 lbs (approximately)
Dual Camera Capable:	Visible color/bw, SWIR, MWIR, LWIR, Multispectral, Etc
Exterior Color/Finish:	Marine white powder coated, external hardware all stainless steel (other colors available)
Environmental Enclosure:	Gasketed and sealed to withstand water and dust penetration (IP-66)
Operating Temperature:	(-30°C to +55°C) includes heater
2 Auxiliary relay controls:	Can be used to power relays to turn on wipers, auxiliary light bar, or near/far on IR camera's, etc Executed through software commands.
Embedded commands:	Electronic limits pan and tilt. 32 preset locations, including home position.
Software:	(Requires Windows 95 SR2, 98, ME, XP, or 2000; not compatible with Windows NT) Virtual joystick Tour (3) each tour may have up to 64 positions (of 32 presets) Diagnostic
6' test cable supplied with Pan/Tilt	6 foot length
Connector	MIL SPEC 24-pin
Protocol documentation	Supplied
Communication to Pan/Tilt	RS232 / 422/485 / IP
Communication to auxiliary devices.	RS232 / 422
Integrated video switching	Port A & D video switched to base connector
Internal Motor drivers:	Operate most common camera lenses. (zoom and focus dual camera operation)

Model List

7-53100-MWS	24VDC, 10,000 Line encoder
-------------	----------------------------

Dimensions with 17 or 24 pin base
Dimensions in inches [mm]



Note: Dimensions and specifications are subject to change without notice. Current mechanical interface information will be provided with unit.