



The wide open shape of the "CRESCENT 3a" combines nicely with side car equipment cabinets and producer table to provide a totally integrated console solution in a relatively shallow space.

- 3 bay X 3 ru turret angled back @ 30°
- 2 bay base cabinet with 7 ru per bay
- removable front vented access panels;
- 2 X fixed height, double metal post legs with floor levelers; matte black wrinkle finish
- laminate or linoleum desktop finish with black bumper edge

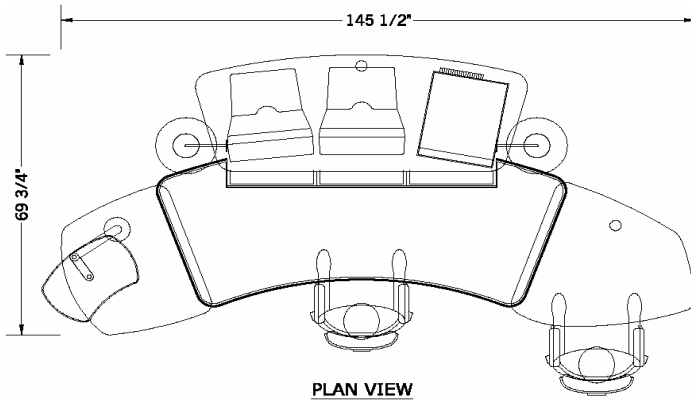


(shown with **optional** equipment cart and producer table)

base model: **\$3,950**

(shipping + handling additional)

(weight: 350 lbs.)



Optional Finishes

multi-ply wood edge with laminate top	\$ 345
multi-ply edge with real wood veneer top	630
solid wood (maple, oak, cherry, mahogany)	1,665

Optional Accessories

SM-1 speaker modules	\$ 310
curved padded bolster edge	285
EC-1M equipment cart, custom top	685
producer table with metal post legs	525
compound articulating arm with shelf	475

