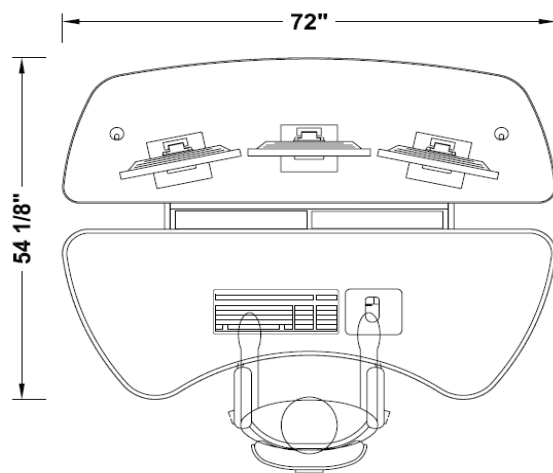
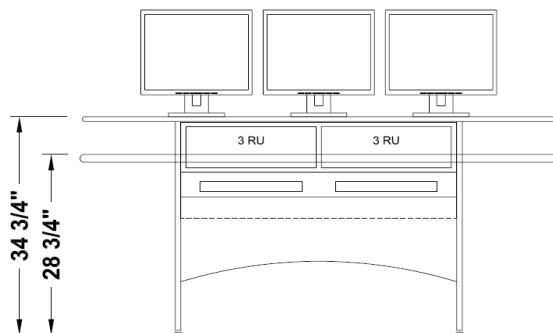
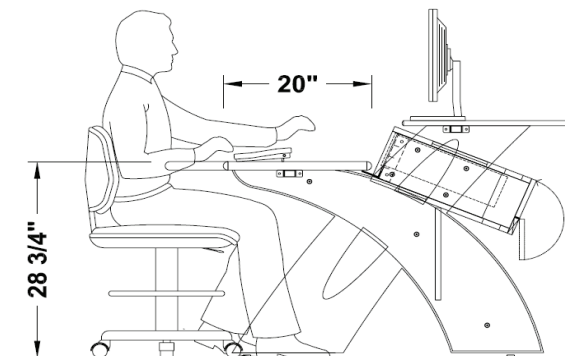


**TBC's "CROSSFIRE" console is a low cost, hi-style, ergonomic solution for all non-linear editing applications. This sleek, low profile design, is engineered for easy assembly.**

- 2 bay @ 3 r.u. angled turret; vented top and bottom; hinged access panel;
- extended bridge for 3 x 20" monitors - or - 2 x 20" monitors with 2 speakers
- open "X" frame construction with modesty panel and complete cable management; floor levelers.


Model X-K2: \$2,145

(shipping + handling additional)


**PLAN VIEW**

**ELEVATION**

**SECTION**
**Finishes** (view at [www.tbconsoles.com](http://www.tbconsoles.com))

|  |     |
|--|-----|
| standard linoleum countertop               | \$0 |
| standard laminate countertop               | 0   |
| multi-ply wood edge with laminate c-top    | 345 |
| multi-ply edge with real wood veneer c-top | 625 |

**Optional Accessories**

|                 |                                |        |
|-----------------|--------------------------------|--------|
| <b>EC1-12</b>   | 12 ru equipment cart, 1-bay    | \$ 635 |
| <b>EC1.5-12</b> | 12 ru equipment cart, 1.5-bay  | 835    |
| <b>EC2-12</b>   | 12 ru equipment cart, 2-bay    | 935    |
| <b>EC1-24</b>   | 24 ru equipment cart, 1-bay    | 735    |
| <b>CT-XK</b>    | matching client/producer table | 1925   |