

World Leader • In-Rack • Audio & Video Monitoring

WOHLER AMP1A-SUM6-RD

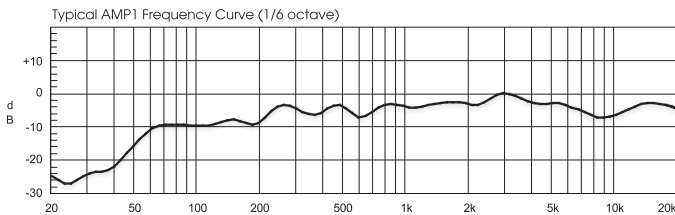
Compact, High Quality Analog Self-Powered Speaker System - 6 Channels, Summed

September 14, 2005



Features:

- Full Fidelity Audio Monitoring in only 1U of rack space
- 6 Balanced Analog Inputs with Individual Volume Controls (Summed: 3 Left, 3 Right)
 - Powerful 98dB SPL at 2 feet (0.6m)
 - Premium Quality Drivers & Power Amplifiers
- Extended Frequency Response and Low Distortion
- Focused Sound, Reduces Adjacent Bay Crosstalk
 - Audible Indication of Phase/Polarity Problems
 - Reduced Depth Chassis of 6" (from 12")
- Thorough Magnetic Shielding for Placement next to Video Monitors
 - Headphone Jack, Mutes Speakers
 - Blowout Proof Speakers
- Quick and Simple Installation



The AMP1A-SUM6/RD provides self-powered, full-fidelity stereo audio monitoring in the smallest rack space possible. With a reduced depth dimension of only 6", the AMP1A-SUM6/RD is ideally suited for use in VTR bays, mobile production vehicles, teleconferencing installations, multimedia systems, satellite links, cable TV facilities and on-air radio studios.

The AMP1A-SUM6/RD offers 6 separate analog inputs which are then summed together: 3 to the left and 3 to the right, 6 separate volume controls allow the operator complete control of the output.

This unit contains three high performance transducers driven by three power amplifiers: one amplifier/driver combination handles midrange and high frequency information in stereo, while the second handles summed low frequency information below the 500 Hz crossover point.

The unique design provides optimally focused sound for operators in an Ultra Near Field (1 to 3 ft.) working environment and offers performance comparable to that of many separate monitor pairs, yet does so without the installation hassles, awkward speaker placements and "added-on" look. This provides for a higher SPL for the operator while reducing overall ambient sound and adjacent bay crosstalk.

Extended HF response reveals potential problems with audio whine or hiss and electronic rather than acoustic cancellation of bass frequencies provides positive audible detection of out-of-phase (reversed polarity) audio feeds.

A headphone jack is provided on the front panel, usage automatically mutes the speakers. Output limiter circuits are incorporated to protect the speakers, and extensive magnetic shielding allows placement immediately adjacent to video monitors with no color impurities.

The AMP1A-SUM6/RD is backed by a strong warranty and a "Satisfaction Guaranteed" return policy.



Audio Monitoring

Level Metering

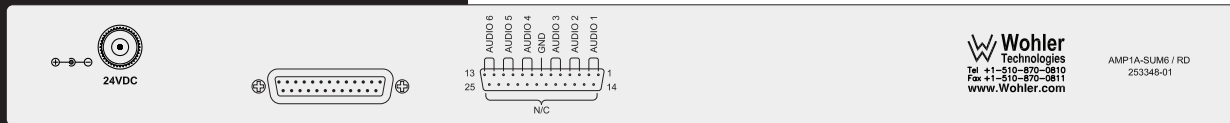
Alarm Systems

Video Monitoring

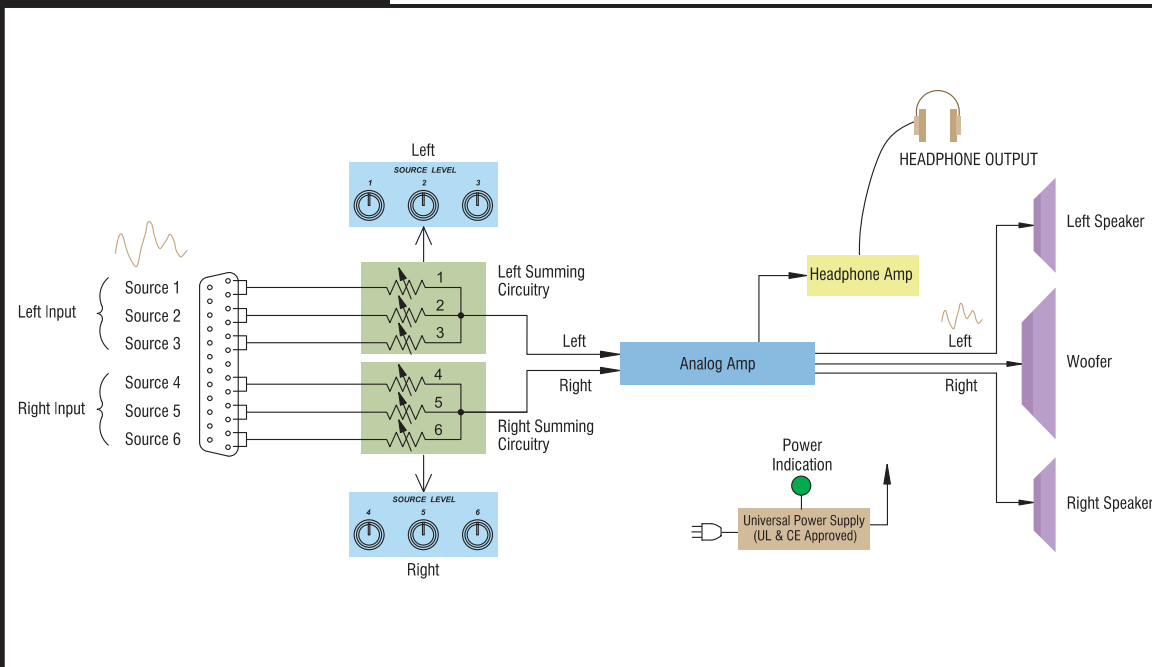
WOHLER AMP1A-SUM6-RD

Compact, High Quality Analog Self-Powered Speaker System - 6 Channels, Summed

Rear Panel:



System Diagram:



Specifications:

Input 6 balanced analog inputs - DB25 connector
Analog input impedance >200 kOhms balanced
Peak acoustic output @ 2 feet 98dB SPL
Frequency response (1/6 octave)	80Hz - 20kHz (±5dB) (-10dB @ 50Hz, 22kHz)
Power output RMS each side (2 Ohms) 10W Transient, 5W Continuous RMS Bass (4 Ohms) 10W Transient, 5W Continuous
Electrical distortion <0.15% at any level below limit threshold
Acoustic distortion8% or less worst case frequencies above 180Hz including cabinet resonance, typically <2%
Hum and noise better than -68dB below full output
Magnetic shielding <0.5 gauss any adjacent surface
Power consumption (AVG. MAX.)	30W
Dimensions (HxWxD) 1.75 x 19 x 6" (44.5 x 483 x 152.4mm)
Weight (approx.)5lbs (2.268kg)
Power supply 100 to 240VAC, 50/60Hz universal input CE and UL approved

**All specifications are subject to improvement*



Toll Free (US): 1.888.5.WOHLER • Tel: 510. 870.0810 • Fax: 510.870.0811
31055 Huntwood Avenue, Hayward, California 94544, USA
www.wohler.com • sales@wohler.com