

PANORAMA^{dtv}, the video division of Wohler Technologies, Inc.

PANORAMA^{dtv} AVMFlex5W-LP2S

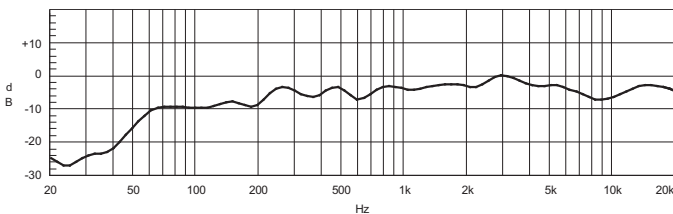
October 12, 2006

5.8" Widescreen VPOD™ LCD Video Monitor Mounted on a Flexible Gooseneck



Features:

- VPOD™ LCD Video Monitor mounted on a Flexible Gooseneck
 - Offers the Best Viewing Angles in even the Tightest Spots
 - Supports both NTSC & PAL Video
 - Two Composite Video Inputs with Loop-Throughs
 - A/B Switching - Audio Follows Video
- 2 Balanced Analog Stereo Pairs (4 Ch.) of Audio Inputs with Output of Selected Pair
 - Powerful 98dB SPL at 2 feet (0.6m)
 - Premium Quality Drivers & Power Amplifiers
- Extended Frequency Response and Low Distortion
 - Audible Indication of Phase/Polarity Problems
 - Red/Green Tally LED



The new AVMFlex Series from Wohler Technologies and PANORAMA^{dtv} combines the best that both companies have to offer to create an unparalleled unit that offers premium quality audio monitoring and LCD video monitoring in only 1U of rackspace.

PANORAMA^{dtv} brings you the new VPOD™ LCD video monitor, the only way to fit a 5.8" LCD screen in only 1U of rackspace. The VPOD™ LCD video monitor is attached to the main chassis by means of a flexible gooseneck, offering users total control of their viewing angle in even the tightest spots.

Wohler brings to this unit the high-quality AMP1 self-powered speaker system which delivers high quality sound with 98dB SPL at 2 feet and an exceptional frequency response of 80Hz - 20kHz in the smallest space possible. The extended HF response reveals potential problems with audio whine or hiss and electronic rather than acoustic cancellation of bass frequencies provides positive audible detection of out-of-phase (reversed polarity) audio feeds. Versions are also available with integrated audio level meters.

The minimal requirement of only 1U of rackspace combined with VPOD™ LCD video monitors means that this unit may be mounted in places where rackspace is at such a premium almost nothing else will even fit, and yet it will provide high quality Wohler AMP1 series sound. The flexible gooseneck also provides complete control over the viewing angle, an important feature with any LCD monitor.

Built and rigorously tested in the USA, the AVMFlex is backed by a strong warranty and a Satisfaction Guaranteed return policy.



Video Monitoring

Level Metering

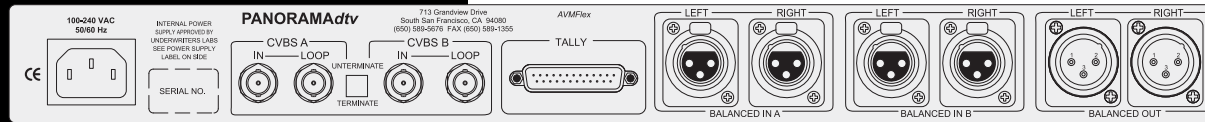
Alarm Systems

Audio Monitoring

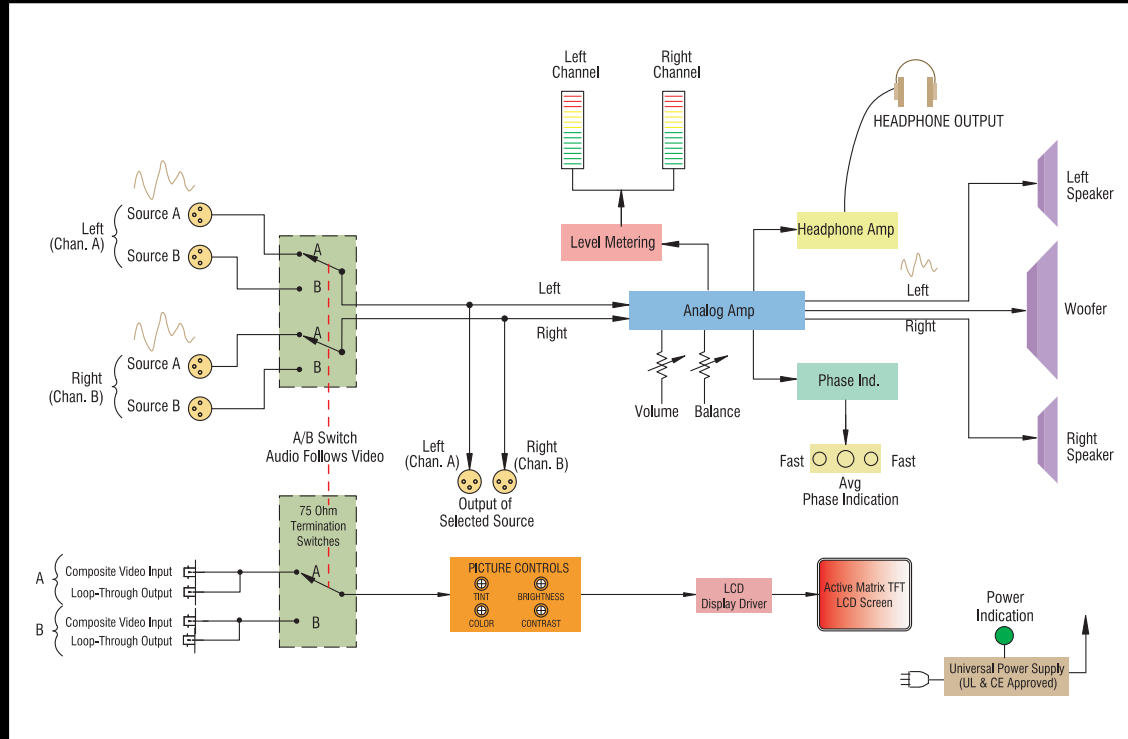
PANORAMA^{dtv} AVMFlex5W-LP2S

5.8" Widescreen VPOD™ LCD Video Monitor Mounted on a Flexible Gooseneck

Rear Panel:



System Diagram:



Specifications:

LCD Diagonal (inches)	5.8"
Screen Aspect Ratio	16:9 & 4:3 (selectable)
Picture Controls	OSD - brightness, contrast, color, tint
Resolution (dots x lines)	1200 x 234
Dot Pitch (mm)	.106 x .307
LCD Active Area (mm)	127.2 x 71.838
Color Configuration	RGB Stripe
Contrast Ratio	150
Brightness (cd/m ²)	400 NITs
LCD Lamp Life	10,000 hours (average)
Viewing Angle	Top = 30°, Bottom = 60°, Left = 60°, Right = 60°
Level meters	2 x 10 segment bargraphs
Level meter scale	+3 to -20 dB
Level meter threshold	-6, 0, +4, +8 dBV: DIP switch selectable
Level meter dynamics	VU or PPM: DIP switch selectable
Midscale resolution	1 dB
Audio Input	2 stereo balanced analog - XLR
Audio Output	loop-through of balanced analog input - XLR
Analog input impedance	>40 kOhms balanced
Peak acoustic output @ 2 feet	98dB SPL
Frequency response (1/6 octave)	80Hz - 20kHz (±5dB) (-10dB @ 50Hz, 22kHz)
Power output	RMS each side - 5W, 7W peak / RMS dual WOOFER - 11W, 16W peak
Electrical distortion	<0.15% at any level below input threshold
Hum and noise	better than -68dB below full output
Magnetic Shielding	<1 gauss any adjacent surface
Dimensions (HxWxD)	1.75 x 19 x 12" (44.5mm x 483mm x 305mm) (does not include VPOD™ LCD Monitor on gooseneck)
Chassis type	1U, 19" rack mounting (EIA-310D)
Weight	VPOD monitor, component & arm 1.01 lbs (.458kg)
Weight (chassis)	<7 lbs (3.175kg)
Power consumption	35W
Power supply	100 to 240VAC, 50/60Hz, universal input CE & UL approved internal power supply