

World Leader • In-Rack • Audio & Video Monitoring

WOHLER LM26-16M

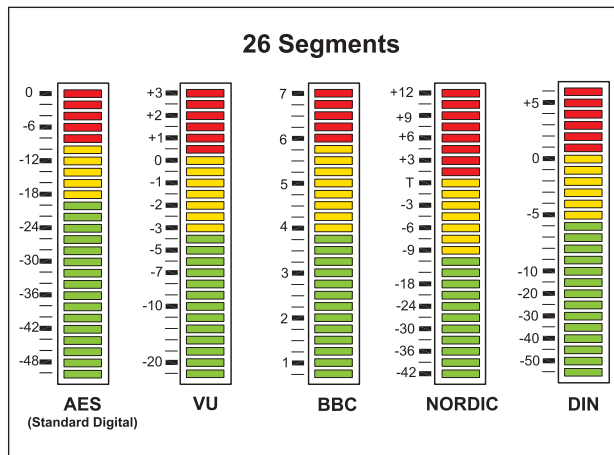
16 Channel In-Rack Professional Level Metering System with Audio from SDI or HD-SDI

June 20, 2005



Features:

- Sixteen 26 Segment Bargraph LED Level Meters, showing all 16 channels from an HD-SDI or SD-SDI Input
 - Tri-Color LEDs Showing Simultaneous VU & PPM
- One SD-SDI or HD-SDI Input (auto-sensing), with Reclocked Output
 - Industry Leading Wide Dynamic Range Accuracy 0.05dB (at 1kHz)
 - Simultaneous Visual Monitoring of all Channels
- Custom Variations of Standard Scales and/or Color Masks Available on Request
 - Adjustable Bargraph Brightness via Front Panel Control
- HD-SDI and SD-SDI Lock Indication LED's
 - Quick and Simple Installation
- CE and UL approved 100 to 240VAC, 50/60Hz Universal Power Input
- Optional Composite Video Out Available
 - Analog & AES/EBU Versions and a Variety of Scales Available



Our LM Series of Analog, AES/EBU digital, HD-SDI, SD-SDI and Dolby Digital audio level meters are now available with a choice of BBC, DIN, Nordic and VU scales and "PPM Only" has also been added to the user selectable options. These changes were requested by our customers, if you don't see what you are looking for please do contact us and we'll be glad to help.

Wohler professional level meters are available with 26, 53 or 106 segment bargraphs, providing very high resolution and a wide (>70dB usable) dynamic range in increments as small as 1/2 dB across mid-scale. We also produce level meters containing large segment LEDs with 30 and 60 segments, optimized for viewing from a distance. Versions are available for Analog, AES/EBU Digital, SDI and Dolby Digital sources, providing from 2 to 32 channels simultaneously depending on the model, and are available as 1U or 2U in-rack units. New versions are available requiring only one half-rack space.

Our unique tri-color LED design means we can offer an almost unlimited variety of options such as Phase Correlation, Peak Hold, Loudness, Sum & Difference, and alternate scales & color mappings.

The standard display mode is set as a single segment PPM "dot" above a VU bar; each segment's color is fixed according to its position on the scale.

Level calibration for analog input versions and scale color transition points ("color mask") for digital input versions may be set via dip switches to select one of four different calibration levels (for analog input types) or color mask (for digital input types) via DIP switch settings.

Ideally suited for use in VTR bays, mobile production vehicles, teleconferencing installations, multimedia systems, satellite link and cable TV facilities and on-air studios, built and rigorously tested in the USA, the Wohler LM series of professional level meters are backed by a strong warranty and a "Satisfaction Guaranteed" return policy.



Level Metering

Alarm Systems

Audio Monitoring

Video Monitoring

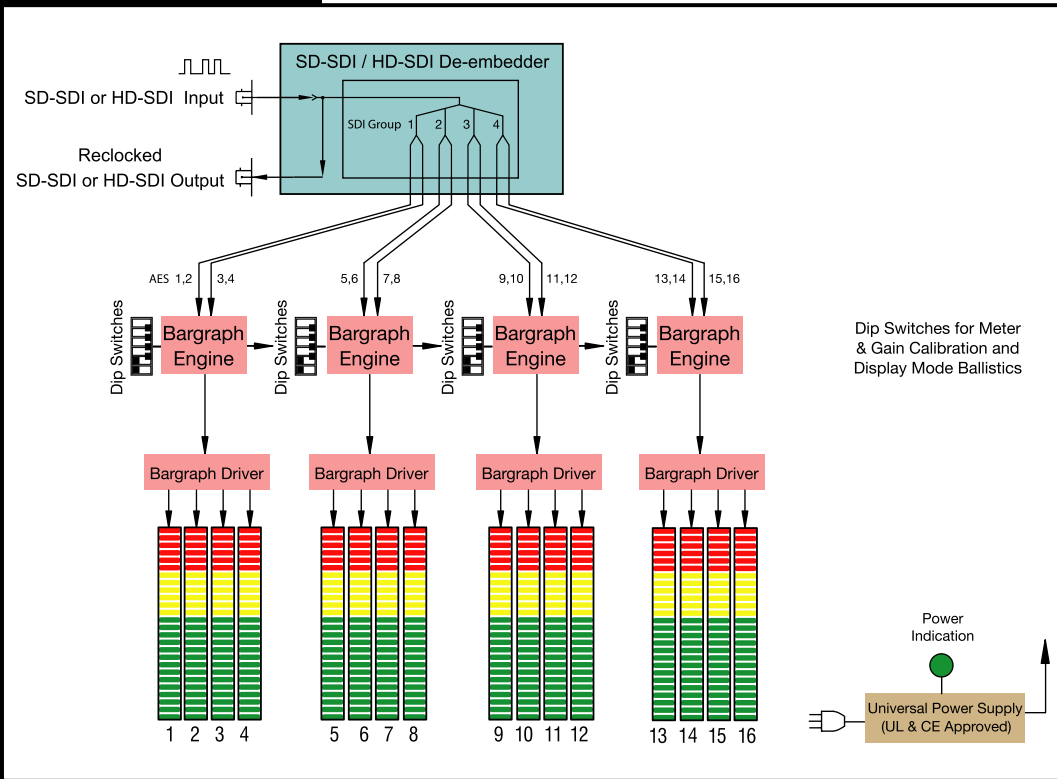
WOHLER LM26-16M

16 Channel In-Rack Professional Level Metering System with Audio from SDI or HD-SDI

Rear Panel:



System Diagram:



Specifications:

| | |
|-----------------------------|--|
| Input connectors |BNC |
| Audio source type |HD-SDI or SD-SDI |
| Input sampling rate |48 kHz |
| Frequency response |10 Hz to 20 kHz \pm 0.05 dB |
| Level meters |sixteen 26 segment high resolution LED bargraphs |
| Standard scale |-66 to 0 dB |
| Midscale resolution |2 dB (Extended VU Scale) |
| Standard display ballistics |simultaneous VU & PPM (dot over bar) |
| Selectable display controls |color boundary: -18 dBfs or -20 dBfs floating segment: PPM 3s hold, PPM peak no hold, VU peak 3s hold, VU peak 10s hold |
| Additional options |composite video out, alternate scales, color mappings and features such as phase correlation or sum & difference may be specified at the time of ordering, contact us for details |
| Chassis dimensions (HxWxD)* |1.75" x 19" x 7.5" (44mm x 483mm x 190.5mm) *not including rear panel input connectors |
| Weight |4.1 lbs. (1.85 kg) |
| Power consumption |15W (maximum) |
| Power supply |100 to 240VAC, 50/60Hz universal input, CE & UL approved |



Toll Free (US): 1.888.5.WOHLER • Tel: 510.870.0810 • Fax: 510.870.0811
31055 Huntwood Avenue, Hayward, California 94544, USA
www.wohler.com • sales@wohler.com