

World Leader • In-Rack • Audio & Video Monitoring

WOHLER LM30-4 SDI

SDI 4 Channel In-Rack Professional Level Metering System



February 1, 2004

Our LM Series of Analog, EBU digital, SDI and Dolby Digital audio level meters are now available with a choice of BBC, DIN, Nordic and VU scales and "PPM Only" has also been added to the user selectable options. These changes were requested by our customers, if you don't see what you are looking for please do contact us and we'll be glad to help.

Wohler professional level meters are available with 26, 53 or 106 segment bargraphs, providing very high resolution and a wide (>70dB usable) dynamic range in increments as small as 1/2 dB across mid-scale. We also produce level meters containing large segment LEDs with 30 and 60 segments, optimized for viewing from a distance. Versions are available for Analog, AES/EBU Digital, SDI and Dolby Digital sources, providing from 2 to 32 channels simultaneously depending on the model, and are available as 1U or 2U in-rack units. New versions are available requiring only one half-rack space.

Our unique tri-color LED design means we can offer an almost unlimited variety of options such as Phase Correlation, Peak Hold, Loudness, Sum & Difference, and alternate scales & color mappings.

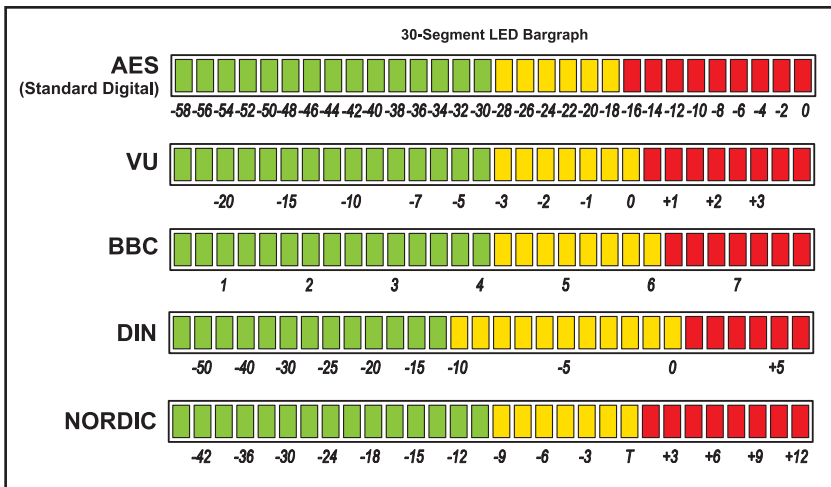
The standard display mode is set as a single segment PPM "dot" above a VU bar; each segment's color is fixed according to its position on the scale.

Level calibration for analog input versions and scale color transition points ("color mask") for digital input versions may be set via dip switches to select one of four different calibration levels (for analog input types) or color mask (for digital input types) via DIP switch settings.

Ideally suited for use in VTR bays, mobile production vehicles, teleconferencing installations, multimedia systems, satellite link and cable TV facilities and on-air radio studios, built and rigorously tested in the USA, the Wohler LM series of professional level meters are backed by a strong warranty and a "Satisfaction Guaranteed" return policy.

Features:

- SDI 4 Channel In-Rack Professional Level Metering System
- Only 1U of Rack Space
- 4 Large Segment 30 Segment Tri-Color LED Bargraphs
- Ideal for Distance Viewing
- Simultaneous VU (bar) and PPM (dot) Bargraph Display Ballistics
- Simultaneous Visual Monitoring of all Channels
- 1 BNC Input Connector
- Industry Leading Wide Dynamic Range
- 1 dB Midscale Resolution
- Custom Variations of Standard Scales and/or Color Masks Available on Request
- Adjustable Bargraph Brightness via Front Panel Control
- Power Indicator LED
- Quick and Simple Installation
- CE and UL approved 100 to 240VAC, 50/60Hz Universal Power Input



Level Metering

Audio Monitoring

Alarm Systems

Video Monitoring

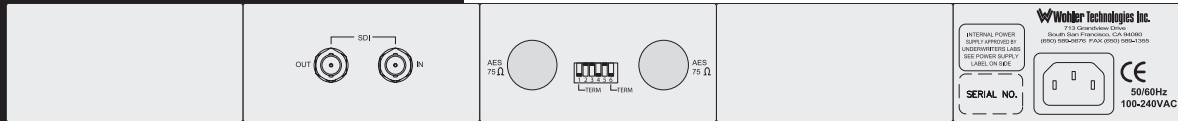
Toll Free (US): 1-888-5-WOHLER Tel: (650) 589-5676 Fax: (650) 589-1355 • 713 Grandview Drive, South San Francisco, California 94080, USA

www.wohler.com sales@wohler.com

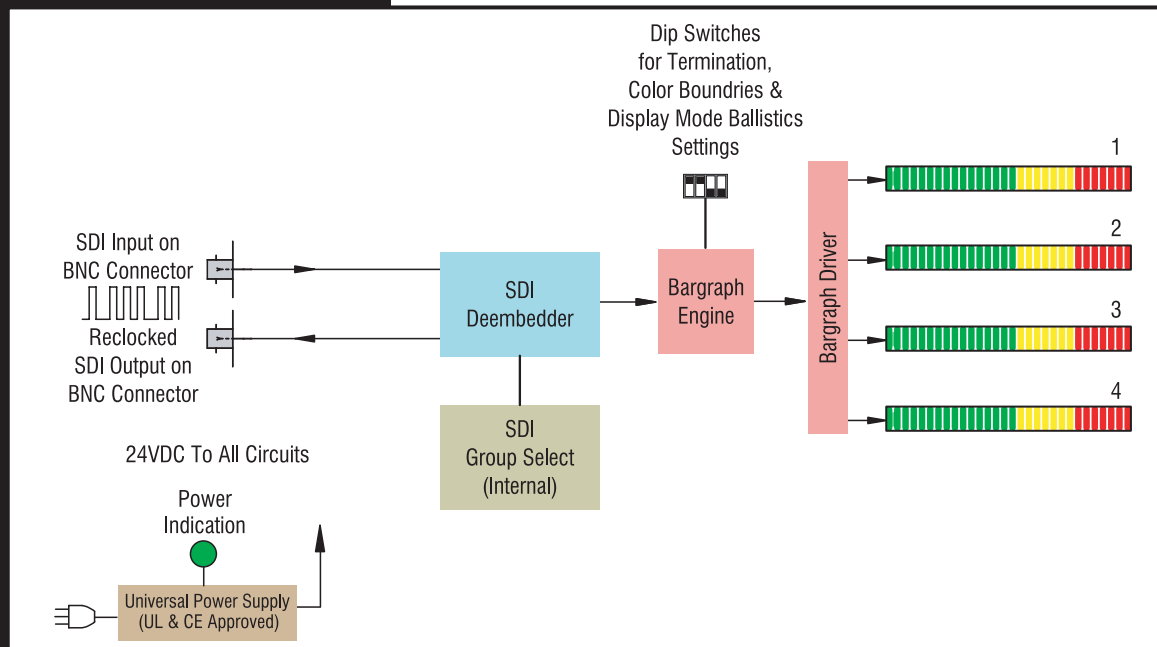
WOHLER LM30-4 SDI

SDI 4 Channel In-Rack Professional Level Metering System

Rear Panel:



System Diagram:



Specifications:

Input connector	1 BNC connector
Output connector	1 BNC connector
Audio source type	1 SDI input
Group select	default is group 1, other groups may be selected via an internal jumper
Input characteristic	15 dB min. return loss 10 - 270 MHz
Receiver type	auto equalizing with clock regeneration
Sensitivity performance	tolerates cable loss of at least 30 dB @ 135 MHz
SDI input level	400 - 1000 mV
Input formats	component, either 525 or 625 line with 48 kHz audio
SDI output	reclocked copy of SDI input
Input termination settings	75 ohms (BNC - unbalanced)
Audio sampling rate	48 kHz
Frequency response	10 Hz to 20 kHz ± 0.05 dB
Level meters	four 30 segment large segment LED bargraphs
Standard scale	-58 to 0 dB
Midscale resolution	1 dB (Extended VU Scale)
Standard display ballistics	simultaneous VU & PPM (dot over bar)
Selectable display controls	color boundary: -18 dBfs or -20 dBfs floating segment: PPM 3s hold, PPM peak no hold, VU peak 3s hold, VU peak 10s hold
Input error indication	red / green LED green = signal present red = error unlit = no signal
Additional options	alternate scales, color mappings and features such as phase correlation or sum & difference may be specified at the time of ordering, contact us for details
Chassis dimensions (HxWxD)*	1.75" x 19" x 7.5" (44mm x 483mm x 190.5mm) *not including rear panel input connectors
Weight	3.5 lbs. (1.6 kg)
Power consumption	10W (maximum)
Power supply	100 to 240VAC, 50/60Hz universal input,

E. & O.E., All specifications are subject to improvement

Visit <http://www.wohler.com/meters.html> for animated metering demonstrations



Toll Free (US): 1-888-5-WOHLER Tel: (650) 589-5676 Fax: (650) 589-1355
713 Grandview Drive, South San Francisco, California 94080, USA
www.wohler.com • sales@wohler.com