

PANORAMA^{dtv}, the video division of Wohler Technologies, Inc.

PANORAMA^{dtv} MON1-T/7W-HR

Half-Rack, 7" HD-SDI and SD-SDI High Resolution LCD Color Monitor

June 29, 2005



The MON1-T/7W-HR is a single 1/2 rack 7" wide screen format high resolution LCD monitor designed to fit a standard Tektronix™ half tub. The monitor accepts SDI and HD-SDI, auto sensing input with a buffered output of the input signal. Front panel controls feature adjustable brightness and contrast recessed trim pots.

Key benefits of Panorama's new design are the strikingly crystal clear picture and wide viewing angle from the remarkably high resolution TFT LCD screen. Panorama's new **Direct Digital Drive™** design offers completely accurate color reproduction from the all digital signal path which directly drives the LCD panel.

This unit is Ideal for video monitoring of video feeds for mobile trucks, news and transmission control rooms, duplication and post production applications.

Built and rigorously tested in the USA, the MON1-T/7W-HR is backed by a strong warranty and a "Satisfaction Guaranteed" return policy.

Features:

- Half-Rack 7" LCD Color Video Monitor
- 1 HD-SDI or SD-SDI (auto-sensing) Input with buffered HD-SDI/SD-SDI Output
 - All Digital Signal Path utilizing Panoramadtiv™ Direct Digital Drive™
 - 16:9 Aspect Ratio
 - Wide Viewing Angle
 - Fits in Standard Tektronix™ Half Tub
- Front Panel Trim Pot Controls for Brightness and Contrast
- Minimal Power Dissipation for a Low Operating Temperature
 - Low Power Consumption
 - Power Indication
- Internal Universal AC Mains Power Supply



Video Monitoring

Audio Monitoring

Alarm Systems

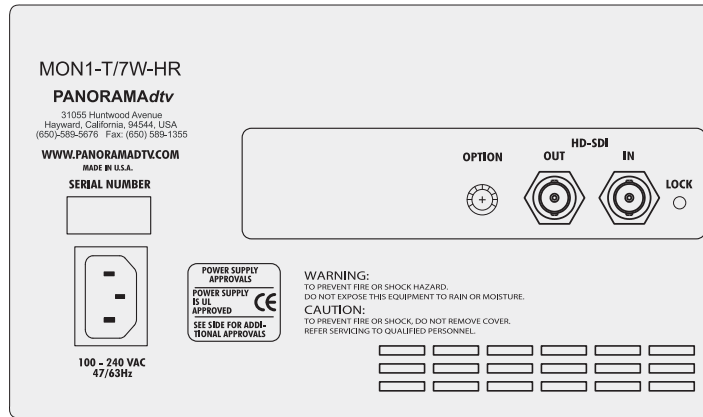
Level Metering



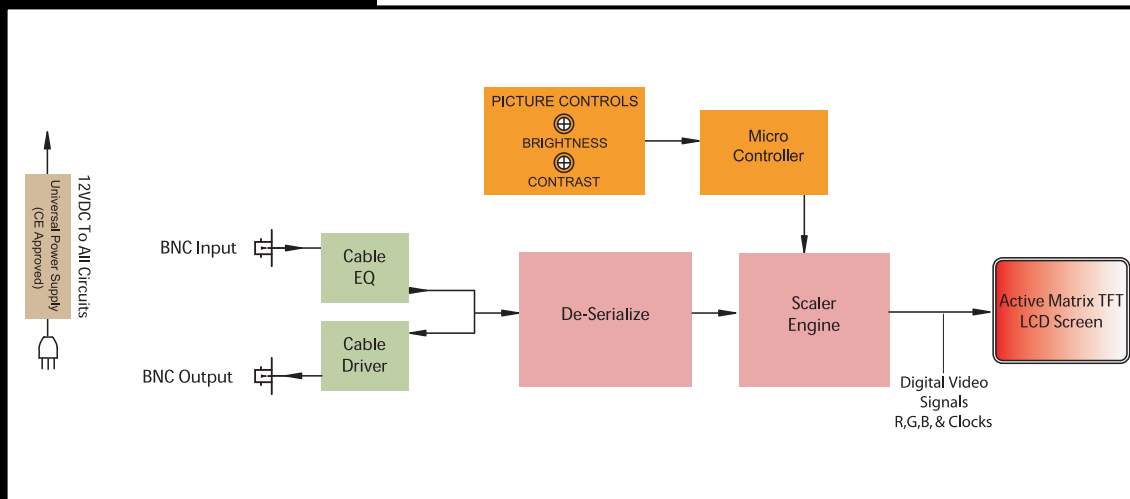
PANORAMA^{dtv} MON1-T/7W-HR

Half-Rack, 7" HD-SDI and SD-SDI High Resolution LCD Color Monitor

Rear Panel:



System Diagram



Specifications:

Signal Input	75 ohm BNC (SMPTE 259M, SMPTE 292M autodetect)
Screen size	7" (177.8mm) diagonal
Screen type	TFT, Transmissive
Display modes	NTSC/PAL autosensing
Aspect ratio	16:9
LCD active area	6.102" x 3.43" (155.00 x 87.12mm)
Picture controls	brightness & contrast
Resolution (dots x lines)	854 x RGB x 480
Dot pitch	0.0605 X 0.1815 mm
Pixel Response Time	7 ms rising (typ.) 18 ms falling (typ.)
Color configuration	RGB stripe
Viewing angle	top=50°, bottom=60° left=65°, right=65°
Contrast ratio	450 (typ.)
Brightness	400 (typ.) NITs (cd/m ²)
LCD lamp life	15,000 hours (avg.) to specified minimum reduction
Chassis type	3U, 19" rack mounting (EIA-310D) in Tektronix® Tub
Dimensions (HxWxD)	8.375 x 5.125 x 16.75" (213 x 130 x 425mm)
Weight	5.5lbs (2.5kg)
Power consumption	10W
Power supply	100 to 240VAC, 47 to 63Hz, universal input CE & UL approved internal power supply

*all product specifications are subject to improvement