

PANORAMAdtv, the video division of Wohler

# PANORAMAdtv RM-2440

Compact Dual-Standard Quad 4" 4:3 LCD Color Monitor with Optional Audio Indication and Input Capabilities



RM-2440 is a quad 4.0" LCD color video monitor, with a 4:3 aspect ratio. The standard version has 2 composite video inputs per screen, 8 total (NTSC and PAL autosensing). Each BNC composite video input has a passive loop-through and a 75 ohm termination switch. The high quality LCD chassis offers adjustable viewing angles for efficient operator viewing.

Optional field-installable modules may be added (one per LCD screen), each one provides an SDI video input channel with a reclocked SDI video output and a converted composite video output. Use of an SDI module disables your second composite input.

Built-in Red/Green/Yellow tally lights from a rear panel connector can be interfaced to most tally systems. An optional field-installable Audio Indication Module can be plugged in to the tally system for audio confidence monitoring needs.

The RM-2440 is ideal for confidence audio/video monitoring of multiple audio and video feeds for mobile trucks, news and transmission control rooms, duplication and post production applications.

Built and rigorously tested in the USA, the RM-2440 is backed by a strong warranty and a "Satisfaction Guaranteed" return policy.

## Features:

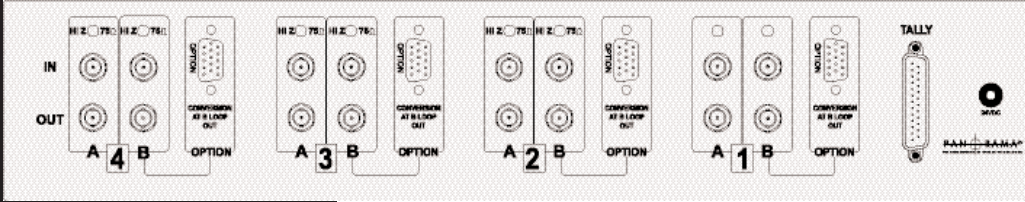
- Quad 4" LCD Color Video Monitor
- Adjustable Screen Angle ( $\pm 55^\circ$ ) for Efficient Viewing
- Field Servicable, Designed for Easy Field Maintainance
- Optional (Field Installable) Audio Indication Module Available (plugs into rear d-sub and uses Tally Lights)
- Optional (Field Installable) SDI Input Module With reclocked SDI and Converted Analog Monitoring Outputs
- Two Composite Video Inputs per Screen, 8 total
- Mix & Match Analog and Digital Video Inputs
- Switchable 75 Ohm or Hi Z Loop-Throughs for all 8 channels
- Front Panel Controls for Color, Tint/Hue, Contrast And Brightness
- Compact 2U, 3.2" Deep and Lightweight
- Dual Standard NTSC/PAL Auto-Sensing
- Red/Green/Yellow Tally Lights
- Low Operating Temperature
- Low Power Consumption
- Front Panel A/B Switching

**PANORAMAdtv** : Video Monitoring : Level Metering : Alarm Systems : Audio Monitoring  
 LCD VIDEO MONITORING

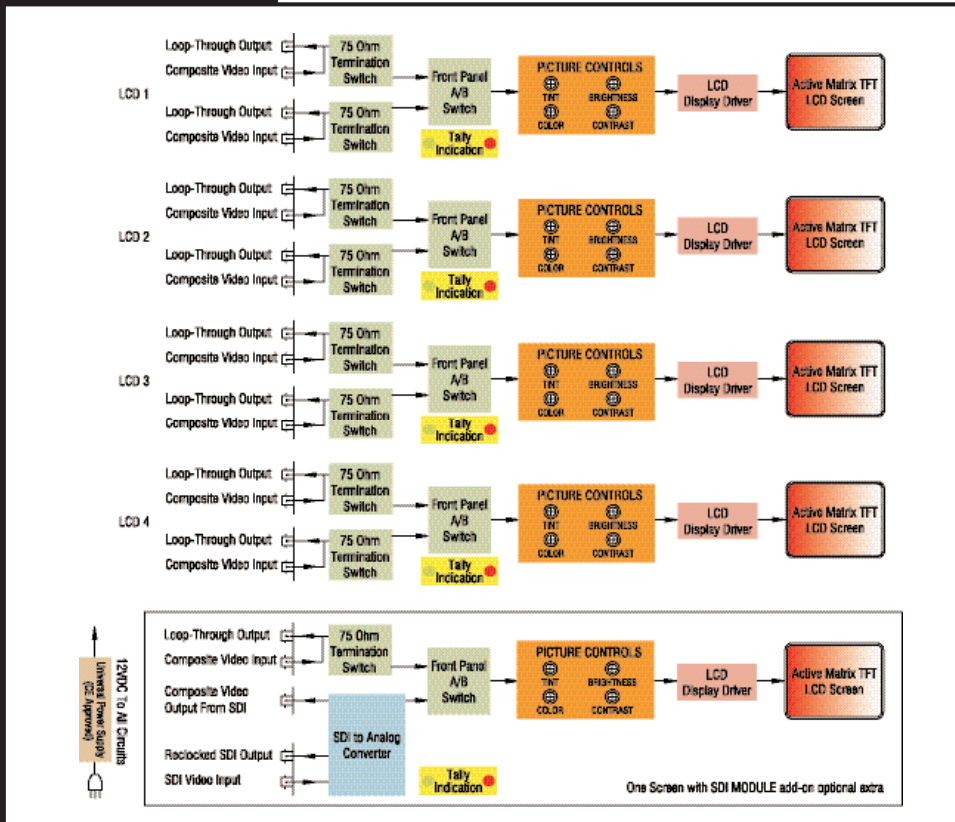
# PANORAMA<sup>dtv</sup> RM-2440

Compact Dual-Standard Quad 4" 4:3 LCD Color Monitor

## Rear Panel:



System Diagram:



## Specifications:

Video input	.....2 composite video inputs per screen
Video input termination	....selectable 75 ohm termination
Video output	.....2 loop-through composite video outputs per screen
Screen size	.....4" diagonal, 3.23"H x 2.43"V
Screen type	.....active matrix TFT
Source selection	.....A/B selection
Display modes	.....NTSC/PAL autosensing
Aspect ratio	.....4:3
Picture controls	.....brightness, chroma, tint & contrast
Resolution (dots x lines)	....960 x 234
Dot pitch	.....0.171mm ~ 0.264mm
Color configuration	.....RGB stripe
Viewing angle	.....top=10°, bottom=30° left=45°, right=45°
Contrast ratio	.....150 (typ.)
Brightness	.....300 NITs (cd/m <sup>2</sup> )
LCD lamp life	.....10,000 hours (min.) 15,000 hours (avg.)
Chassis type	.....2U, 19" rack mounting (EIA-310D)
Dimensions (W x D x H)	....19"W x 3.2"D x 3.4"H (483 x 81 x 89mm) (does not include depth of connectors)
Weight	.....approx. 61lbs (2.72 kg)
Power consumption	.....24W typical, 42W max.
Power supply	.....110/220 External Power Supply Included

## Optional Extra

SDI Option	.....Field installable option board, SDI (ITU-R 601) input, relocked SDI output, composite output of SDI input, use of SDI module disables 2nd composite video input - use one 1 option board per screen.
Audio Indication Option	....Field installable option module uses 25-pin to 8 XLR cable to monitor 4 stereo pair of analog audio