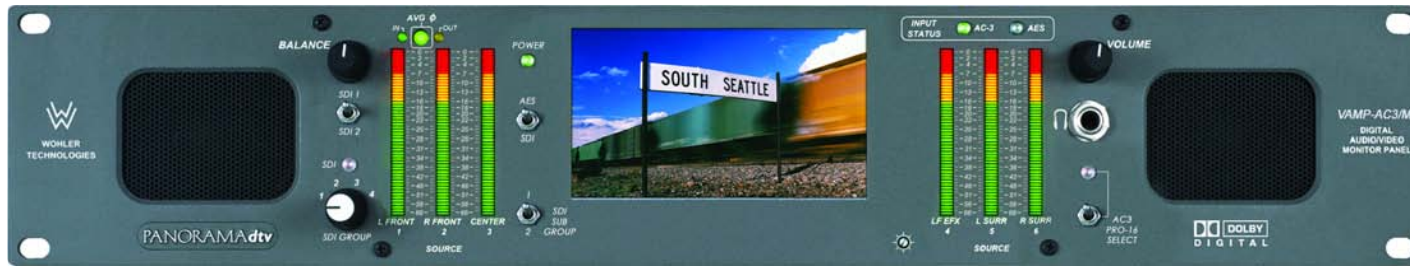


PANORAMAdtv VAMP-AC3/M

December 6, 2006

6 channel Dolby Digital (AC-3) audio monitor with auto-sensing HD/SD-SDI input



Features:

- 4.3" 16:9 format color LCD video screen
- Source 1: Dolby Digital AC-3 or AES/EBU, either Balanced or Unbalanced
- Source 2: HD-SDI input with re-clocked output
- Balanced Analog Output of 2 Selected Channels or Multi-Channel Downmix
- Hear and See up to 6 Channels of Audio Simultaneously
- Six High Resolution 53 Segment Level Meters Showing Simultaneous VU & PPM
- Includes an Internal Dolby Digital AC-3 Decoder
- Powerful 100dB SPL at 2 feet (0.6m)
- Premium Quality Drivers & Power Amplifiers
- Focused Sound, Reduces Adjacent Bay Crosstalk
- Output Limiter Protected Speakers
- Thorough Magnetic Shielding

The VAMP AC-3/M is a complete integrated 6 channel Dolby Digital audio and composite video monitoring system as well as professional level metering in a compact two rackspace cabinet. A 4.3" widescreen color active matrix TFT LCD displays all formats of HD-SDI video from two auto-sensing HD/SD-SDI inputs with re-clocked output.

The VAMP AC-3 features six 53 segment high-resolution tri-color LED level meters showing simultaneous VU and PPM for superior level-metering. Output limiter circuits are incorporated to protect the speakers, and extensive magnetic shielding allows placement immediately adjacent to video monitors with no color impurities.

The unique design provides optimally focused sound for operators in an Ultra Near Field (1 to 3 ft.) working environment and offers performance comparable to that of many separate monitor pairs, yet does so without the installation hassles, awkward speaker placements and "added-on" look. This provides for a higher SPL for the operator while reducing overall ambient sound and adjacent bay crosstalk. Extended HF response reveals potential problems with audio whine or hiss and electronic rather than acoustic cancellation of bass frequencies provides positive audible detection of out-of-phase (reversed polarity) audio feeds.

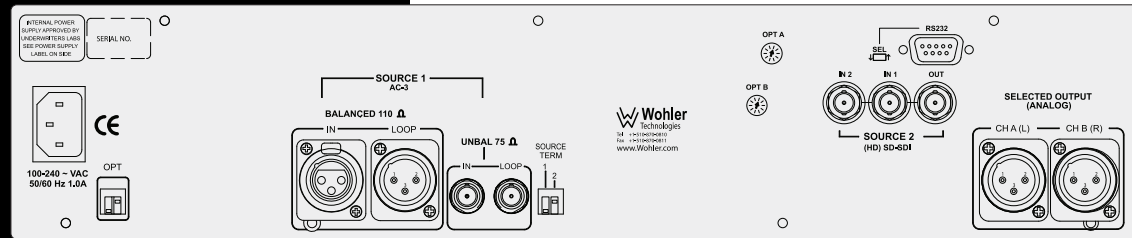
Built and rigorously tested in the USA, our products are backed by a strong warranty and a Satisfaction Guaranteed return policy.



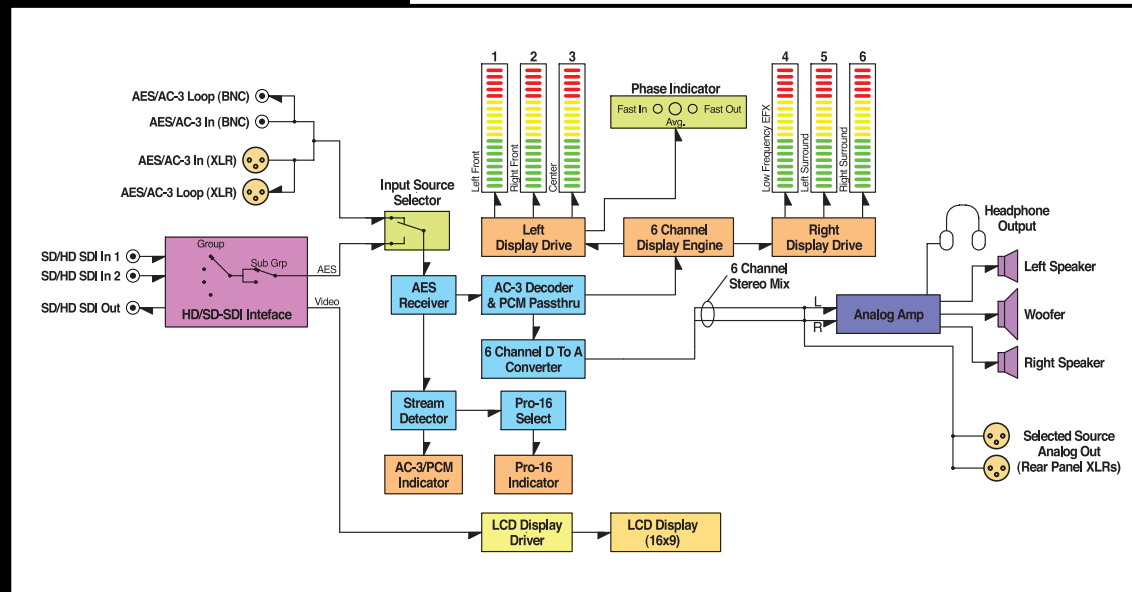
VAMP-AC3/M

6 channel Dolby Digital (AC-3) audio monitor with auto-sensing HD/SD-SDI input

Rear Panel



System Diagram



Specifications

Dolby Digital AC-3 or input-Source 1	1 balanced or unbalanced input AES/EBU with loopthrough output (XLR / BNC)
HD/SD-SDI input-Source 2	1 unbalanced input (BNC)
Analog output	Balanced analog output of 2 selected channels or multi-channel downmix, XLR
Level meters	6
Level meter no. of segments	53
Level meter scale	0 to -66
Level meter threshold	0, +4, +6 or +8dBv : DIP switch selectable
Level meter dynamics	Simultaneous VU & PPM
Midscale resolution	1 dB
Peak acoustic output at 2 feet	100dB SPL
Power output	RMS each side (4 Ohms) - 10W, 14W peak RMS center WOOFER (4 Ohms) - 25W, 35W peak
Frequency response (1/6 octave)	120Hz - 16kHz (±5dB) (-10dB @ 40Hz, 20kHz)
AC-3 & AES/EBU input termination	110 Ohms balanced, 75 Ohms unbalanced
Screen size	4.3" diagonal
Display resolution	1440 x 272 (dots)
Aspect ratio	16:9
Lamp life	10,000 hours (avg.)
Hum and noise	better than -68dB below full output
Electrical distortion	<0.15% at any level below input threshold
Magnetic shielding	<0.8 gauss any adjacent surface
Power consumption (AVG. MAX.)	45W
Dimensions (HxWxD)	3.5 x 19 x 12" (44.5 x 483 x 305mm)
Weight (approx.)	18lbs (8.2kg)
Power supply	100 to 240VAC, 50/60Hz universal input CE and UL approved