

PANORAMAdtv VAMP2-MDA

HD-SDI/SD-SDI Video & Audio Monitor

October 13, 2006



Features:

- 4" active matrix TFT LCD display with 4:3 aspect ratio
- Auto-sensing NTSC/PAL
- Four 53-segment tri-color LED level meters displaying simultaneous VU and PPM
- Simultaneously monitors 4 audio channels and 1 video channel
- Converts HD-SDI/SD-SDI to analog composite video output
- De-embeds 1 of 4 audio groups from SDI to AES digital and analog audio
- Convenient front panel SDI audio group select control
- 2 HD-SDI/SD-SDI and 2 composite video inputs
- 2 pairs of 2 AES/EBU or 2 groups of 4 analog audio inputs
- Internal or external speaker switch (no amplifier needed)
- Low power consumption
- Self-powered speaker system
- Requires only 2U of rack space
- Headphone jack (mutes speakers)

Inputs:

- 2 HD-SDI/HD-SDI inputs on BNC connectors (SMPTE 259M, SMPTE 292M autodetect)
- 2 composite video inputs on BNC connectors
- 4 AES/EBU digital audio inputs on BNCs with termination switches (unbalanced). Select 1 of 2 groups
- 4 balanced 110 ohm AES/EBU digital audio inputs on a DB-25 connector
- 8 analog audio inputs on a DB25 connector (select 1 group of 4)

Outputs:

- 1 reclocked SDI output of selected SDI input on a BNC connector
- 2 loop-through composite video outputs on BNC connectors
- 2 AES/EBU digital audio outputs from selected SDI group on an HD15 connector (unbalanced) or DB-25 connector (balanced)
- 4 analog outputs from metered audio signals
- 2 channel analog output (line out) from the source selected for monitoring on the internal speakers
- Left and right external speaker outputs on 5-way binding posts

The VAMP2-MDA solution provides high quality audio and SD/SDI or HD-SDI video monitoring in only 2 units of rack space.

The built-in color LCD screen allows confidence monitoring of video from either the SDI input or composite analog video inputs. HD-SDI inputs are automatically letterboxed for proper aspect display on the LCD screen. Also included is a composite video monitor output from the selected HD-SDI/SD-SDI source for use with larger, external video monitors.

The analog audio section features 4 channels and level meters; any of the 4 channels may be selected independently and sent to the 2 channel speaker system, headphone output, and phase indicator. The VAMP2-MDA is capable of independent monitoring of each audio track and is a useful tool for converting and demuxing digital signals. A pair of auxiliary AES inputs and 8 analog audio inputs are included for applications that don't use embedded audio.

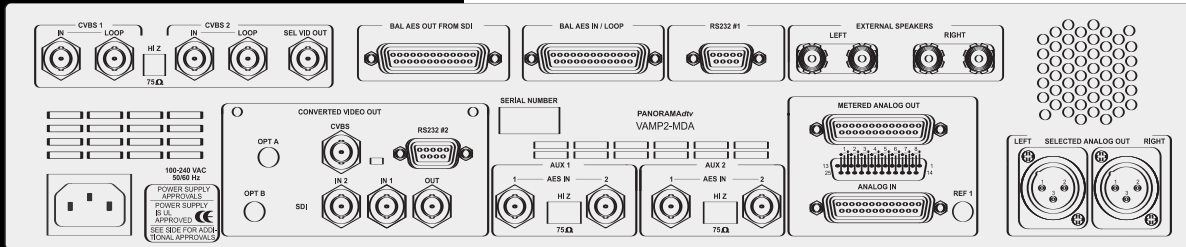
The VAMP2-MDA is ideally suited to provide high quality, multi-channel, digital and analog audio and video monitoring in a compact unit. Ideal for use in VTR bays, mobile production vehicles, teleconferencing installations, multimedia systems, satellite links, cable TV facilities, and on-air radio studios. Built and rigorously tested in the USA, the VAMP2-S3MDA is backed by both warranty and satisfaction guarantee return policy.



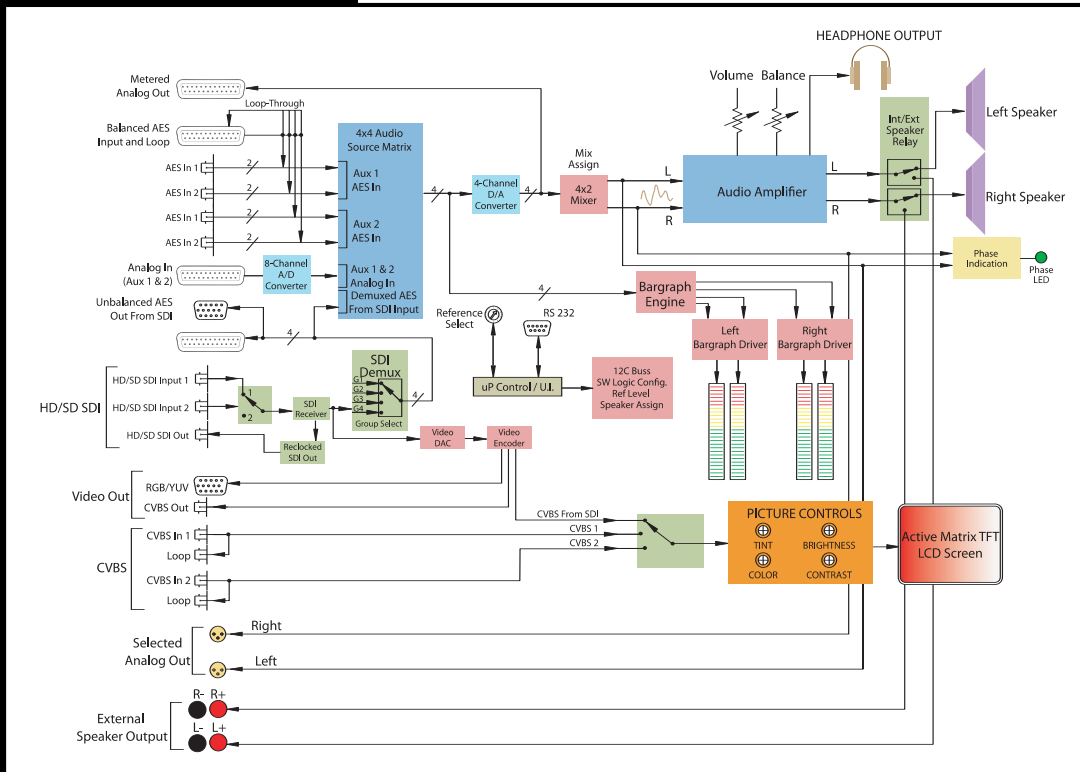
PANORAMA^{dtv} VAMP2-MDA

HD-SDI/SD-SDI Video and Audio Monitor

Rear Panel



System Diagram



Audio Specifications

Peak acoustic output	97 dB SPL (@ 2 ft.)
Electrical response	20Hz - 20kHz ± 1dB
Acoustic response 1/6th octave	170 Hz - 16 kHz (±5 dB) (-10dB @ 140Hz, 20kHz)
Speaker AMP power output	20 W transient / 11 W continuous RMS each side (4 ohm)
Distortion, electrical	<0.15% at any level below input threshold
Distortion, acoustic	Typically less than 1.5% at frequencies above 200 Hz; 6% or less at worst case
Hum and noise	More than 70 dB below full output

Video Specifications

Screen size	4" diagonal
Screen type	active matrix TFT
Display modes	NTSC/PAL Auto-sensing
Aspect ratio	4:3 SD, 16:9 letterboxed for HD
LCD active area	82.1 x 61.8mm
Picture controls	brightness, chroma, tint, contrast
Resolution (dots x lines)	480 x 234
Dot pitch	0.171 x 0.264mm
Color configuration	RGB delta
Viewing angle	top=10°, bottom=30° left=45°, right=45°
Contrast ratio	150 (typ.)
Brightness	250 NITs (cd/m ²)
LCD lamp life	15,000 hours (avg.)

General Specifications

Magnetic shielding	<1 gauss any adjacent surface
Chassis type	2U, 19" rackmounting
Dimensions (HxWxD)	3.5" x 19" x 8" (89 x 483 x 203mm)
Weight	12lbs (5.5kg)
Power consumption	60W max
Power supply	100 to 240VAC, 50/60Hz, universal input CE & UL approved internal power supply