

World Leader • In-Rack • Audio & Video Monitoring

# WOHLER VMDA-SUM8

8 Channel Analog / Digital Continuity Monitor



## Features:

- Confidence audio monitoring in only 1U of rack space
- 8 balanced analog inputs
- 4 unbalanced AES inputs on recessed BNC connectors
- Two 4 channel summing matrix, each matrix fed to speaker power amp
- Individual selection of each channel between an analog source and a digital channel
- AES signals separated with channel 1 directed to the left summing matrix and channel 2 directed to the right summing matrix
- Internal selector for unit configuration: mono or stereo
- Shallow depth, just over 4.75" at the input BNC connector
- Captive (locking) power plug
- Powerful 98dB SPL at 2 feet (0.6m)
- Behind panel master level control to limit volume to installed area
- Focused sound (reduces adjacent bay crosstalk)
- Premium quality drivers and power amplifiers
- Audible indication of phase/polarity problems
- Headphone jack (mutes speakers)
- Blowout proof speakers
- Quick and simple installation

September 12, 2006

With a reduced depth dimension of only 4.75" the VMDA-SUM8 provides self-powered, confidence audio monitoring in the smallest rack space possible.

The VMDA-SUM8 offers selection between 8 separate digital channel inputs (4 AES streams) and 8 separate analog inputs on a channel by channel basis. The selected channels are then summed together: 4 to the left and 4 to the right, providing 8 separate volume controls. An analog/digital input select switch allows the operator complete control of the output.

This unit contains 2 high performance transducers driven by 2 power amplifiers: an amplifier/driver for the left channel and another for the right channel. Inputs to the power amps are internally selectable for stereo or mono as derived from the left and right selected inputs.

The sleek design provides optimally focused sound for operators in an ultra near field environment (1 to 3 ft.) and offers performance comparable to that of many separate monitor pairs without the installation hassles and awkward speaker placements. This provides for a higher SPL for the operator while reducing overall ambient sound and adjacent bay crosstalk.

The MDA-SUM8 is ideally suited to provide high quality, multi-channel, digital and analog audio and video monitoring in a compact unit. Ideal for use in VTR bays, mobile production vehicles, teleconferencing installations, multimedia systems, satellite links, cable TV facilities, and on-air radio studios. Built and rigorously tested in the USA, the MDA-SUM8 is backed by both warranty and satisfaction guarantee return policy.



Audio Monitoring

Level Metering

Alarm Systems

Video Monitoring

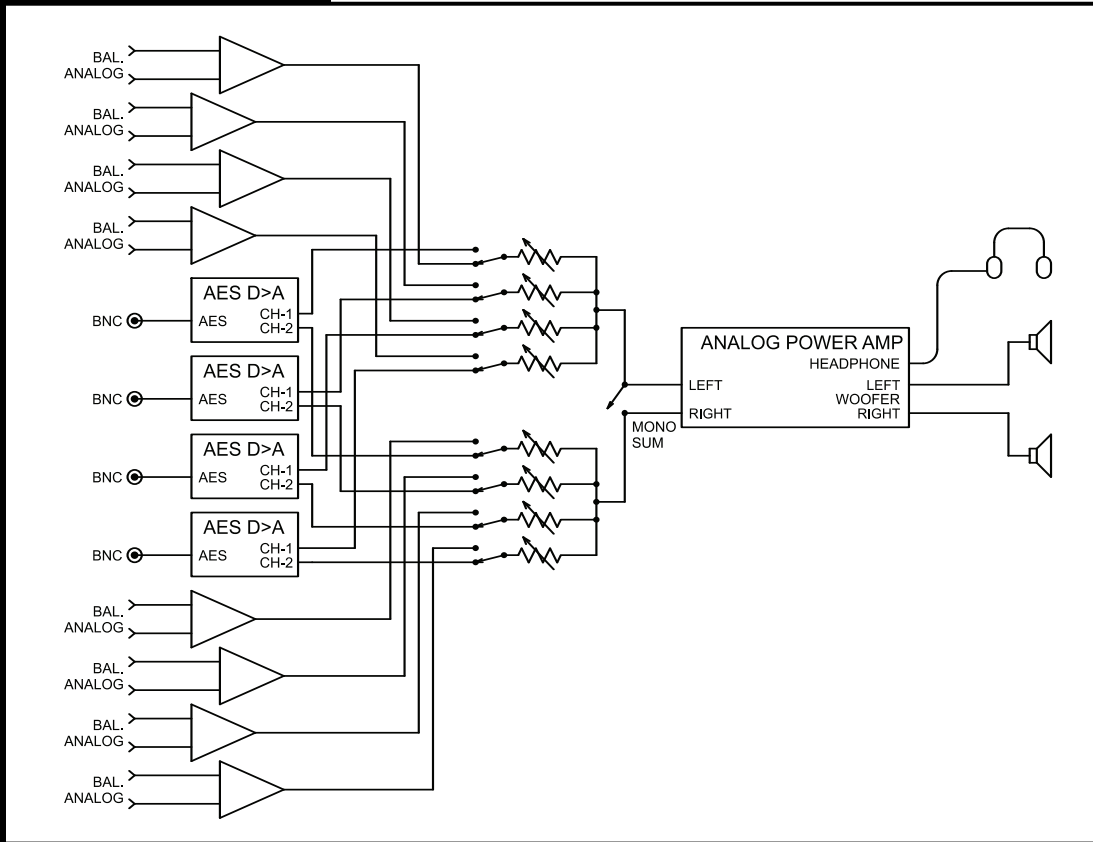
# WOHLER VMDA-SUM8

8 Channel Analog / Digital Continuity Monitor

## Rear Panel



## System Diagram



## Specifications

AES/EBU inputs	4 unbalanced inputs (BNC) ON / OFF 75 Ohms termination input sampling rate, auto detection between 32 – 48kHz input level for full output -20dBfs
Analog inputs	8 balanced inputs on DB-25 connector input impedance >100kOhms balanced input level for full output 0dBv
Hum and noise	Better than -70dB below full output
Electrical distortion	<0.3% below limiting threshold
Acoustical frequency response	300Hz to 10kHz (+/- 6dB)
Acoustical distortion	Typically <2% at below limiting threshold, 300Hz to 10kHz
Peak acoustical output	At 2 feet 90dB SPL
Power	External 24 volt supply, 100 to 240VAC, 50/60 Hz CE and UL approved consumption 40 watts
Dimensions	1.75 x 19 x 4.75 (HxWxD inches), depth measured from rack mounting rail to BNC connector protrusion at rear
Weight	2.75 lbs
Weight of power supply	0.77 lbs
Magnetic shielding	Typically <2 gauss any adjacent surface



**World Leader In-Rack Audio & Video Monitoring**  
 Toll Free (US): 1-888-5-WOHLER Tel: (510) 870-0810 Fax: (510) 870-0811  
 31055 Huntwood Avenue, Hayward, California 94544, USA  
 www.wohler.com • sales@wohler.com